

Zimbabwe transforms home solar power generation



Overview

Learn how renewable energy is changing lives in rural Zimbabwe. A 200 kW solar mini-grid in Chipinge is powering homes, schools, and businesses, offering new opportunities for locals like Isaiah Mlambo Mahlathini, who returned to his village to start a carpentry business. The Hakwata community that he left in darkness in 2010 looking for greener pastures in neighbouring South Africa was bustling with activity as a result of a 200 kilowatt (kW) solar mini-grid, providing uninterrupted power to households, a business centre, schools and a clinic. The 55-year-old. President of Zimbabwe commissions 200kW solar mini-grid and green village model in Hakwata village, Chipinge District Hakwata, Chipinge District, 3 October 2024 - In a landmark moment for rural development, a 200-kW solar mini-grid and green village model was commissioned in Hakwata village. As the sun dips below the horizon, homes across rural Zimbabwe suddenly spring to life, illuminated by the glow of solar-powered outdoor lights. In Dete Village in Hwange district in Matabeleland North Province, Faniso Nyoni watches as her three children gather around a brightly lit table, their. Zimbabwe, a country blessed with abundant sunshine, is increasingly turning to solar energy as a sustainable and reliable solution to its energy challenges. The Zimbabwe Power Company's (ZPC) main thermal plants are very old and keep breaking down.

Zimbabwe transforms home solar power generation



Harnessing the Power of the Sun: The Rise of Solar Energy in Zimbabwe

With the right policies, investments, and partnerships, solar power has the potential to transform the country's energy landscape. By embracing solar energy, Zimbabwe can achieve energy security, reduce its carbon ...

[Learn More](#)

After A Long Wait, Zimbabwe's Utility-Scale Solar PV

It's been quite a long journey, but it seems some companies such as Centragrid have now found the winning formula to make utility-scale solar projects work in Zimbabwe.

[Learn More](#)



Zimbabwe's Presidential Solar Scheme Boosts Energy & Farming

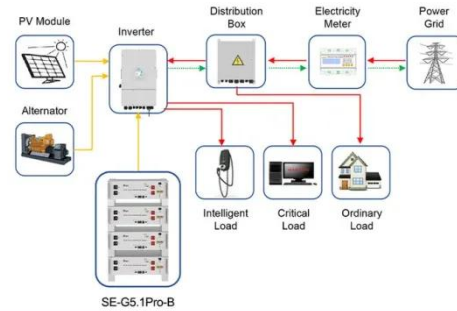
Discover how President Mnangagwa's Presidential Solar Scheme is transforming Zimbabwe with renewable energy, supporting sustainable agriculture, and powering homes.

[Learn More](#)

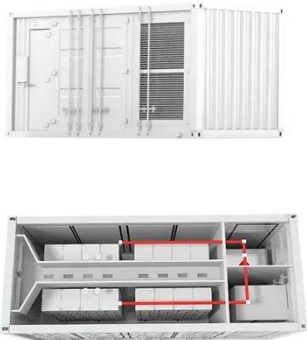
Zimbabwe eyes renewable energy boom to power sustainable future

Retrofitting electric geysers with solar units could free up as much as 300 MW of grid power. In agriculture--which supports the majority of Zimbabweans--solar-powered irrigation systems could be a ...

[Learn More](#)



Application scenarios of energy storage battery products



Rural Zimbabwe to Benefit from 1.8 Million Solar Home Systems: A Path

In a monumental step towards sustainable development, Zimbabwe's Second Republic is launching a nationwide initiative to bring solar power to rural communities, benefitting 1.8 million households.

[Learn More](#)

Transforming Lives: Solar Mini-Grid Lights Up Remote Zimbabwe Village

A new solar mini-grid and green village model has been commissioned, bringing clean electricity to over 100 homes and businesses. This project, valued at nearly US\$2 million, is part of a larger initiative to ...

[Learn More](#)

 **TAX FREE**

Product Model
HJ-ESS-215A(100KW/215KWh)
HJ-ESS-115A(50KW/115KWh)

Dimensions
1600*1280*2200mm
1600*1200*2000mm

Rated Battery Capacity
215KWH/115KWH

Battery Cooling Method
Air Cooled/Liquid Cooled



Solar-Powered Homes in Zimbabwe: A Solution to the ...

Discover how solar-powered homes



could solve Zimbabwe's energy crisis and promote sustainability for future developmental growth of the nation.

[Learn More](#)

Solar mini-grid transforms lives of Zimbabweans in rural areas

Learn how renewable energy is changing lives in rural Zimbabwe. A 200 kW solar mini-grid in Chipinge is powering homes, schools, and businesses, offering new opportunities for locals like Isaiah ...

[Learn More](#)



51.2V 150AH, 7.68KWH

Solar power energizes rural Zimbabwe's transformation

Solar energy is bridging Zimbabwe's rural-urban energy divide by providing consistent power to remote areas. With solar installations, clinics can operate refrigeration for vaccines, schools can conduct ...

[Learn More](#)

Solar energy transforming lives in rural Zimbabwe

As the sun dips below the horizon, homes across rural Zimbabwe suddenly spring to life, illuminated by the glow of

solar-powered outdoor lights.

[Learn More](#)



Contact Us

For catalog requests, pricing, or partnerships, please visit:
<https://www.v4venison.co.za>

