

Young man made his own solar photovoltaic power generation



Overview

The latest teenager to wow the world of science is 13-year-old Aidan Dwyer from Long Island, New York—a young man who's made a startling advance in the burgeoning field of solar energy. Dwyer spoke about his discovery that has applications for solar panels at a recent PopTech. A young man used an iron pot and a mirror to make a solar power generation device. Once you learn this secret, you will never throw away plastic bottles again! . This rural boy made a solar power generation device using a mirror at home and a big head pan. #home This is really a genius invention. “My design. I happened across this clever trick for making a solar concentrator in an 1981 Popular Science magazine. Masonite and aluminum foil - that's all Rick Steenblik, a research engineer at t. Smart and simple wooden crafts to transform your home! Our site is dedicated to creativity. PAY ATTENTION: Donate to Legit Charity on Patreon. Your support matters! In an interview with Legit. ng's Joseph Omotayo, David.

Young man made his own solar photovoltaic power generation



This young man has ingeniously transformed an old satellite

A rural young man ingeniously created a solar powered generator using a simple iron pot and some mirrors.

[Learn More](#)

Ingenious DIY Solar Power Generator Using Iron Pot and Mirrors

Watch as a young innovator transforms an iron pot and mirrors into a powerful solar generator! Witness the amazing journey as he enhances his design by salvaging a phototransistor from an old



[Learn More](#)

A young man used an iron pot and a mirror to make a solar power

A young man used an iron pot and a mirror to make a solar power generation device. Once you learn this secret, you will never throw away plastic bottles again!



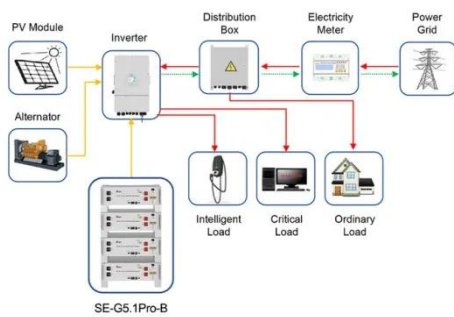
[Learn More](#)

Physics Is Fun , A young man used

an iron pot and a mirror to make a

238K likes, 1,195 comments - physicsisfun0001 on Septem: "A young man used an iron pot and a mirror to make a solar power generation device..! #shortsvideos #science #funfacts #physics ...

[Learn More](#)



Application scenarios of energy storage battery products

A young man used an iron pot and a mirror to make a solar power

Ideal for #Electricians, DIY enthusiasts, and innovators, learn how to construct a permanent energy solution that can revolutionize your power supply. Follow along for detailed instructions, essential ...

[Learn More](#)

A young man used an iron pot and a mirror to make a solar power

Enjoy the videos and music you love, upload original content, and share it all with friends, family, and the world on .

[Learn More](#)



"I Used Lithium Batteries": Man Who Built Solar System for His House ...

A talented Nigerian man, David Osadebe, who wowed many with how he built his home solar system by himself

instead of getting an installer has spoken about the process.

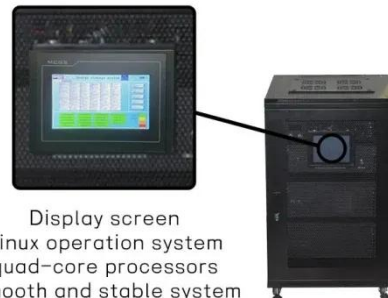
[Learn More](#)



This rural boy made a solar power generation device using a mirror at

The rural boy made a solar power generation device using a mirror at home and a big iron pot. The current not only can drive household appliances but also can drive a pump. #ideas

[Learn More](#)



Display screen
Linux operation system
quad-core processors
smooth and stable system

Physics Is Fun , A young man used an iron pot and a mirror

Eric Jacqmain, from Indiana, covered an ordinary fiberglass satellite dish with 5,800 tiny mirror tiles - and made his very own 'death ray'. When aligned correctly it can generate a heat spot a ...

[Learn More](#)



13 Year old Boy Creates Breakthrough Solar Technology

The latest teenager to wow the world of science is 13-year-old Aidan Dwyer from Long Island, New York--a young man who's made a startling advance in the

burgeoning field of solar energy. Dwyer

...

[Learn More](#)



Contact Us

For catalog requests, pricing, or partnerships, please visit:
<https://www.v4venison.co.za>

