

Wireless solar telecom integrated cabinet inverter grid- connected bl-62



Wireless solar telecom integrated cabinet inverter grid-connected b



Solar-Powered Telecom Cabinet

With this solar-powered solution, telecom operators can reduce their reliance on the grid and ensure uninterrupted communication services even in remote areas. This telecom cabinet is equipped with a ...

[Learn More](#)

PV Grid-Connected Cabinet , Low Voltage Distribution Board , IPKIS

For low-voltage solar power stations that are connected to the grid, the PV grid connected cabinet can also incorporate additional devices for functions like measurement and protection.



[Learn More](#)

Telecom Hybrid Solution

Hunterhex multi function modular inverter/charger can be used as inverter, AC charger or solar charger in 19 inch shelf. Its comprehensive LCD display offers a configurable and easy accessible button ...

[Learn More](#)

Grid Tie Inverters



Incorporating all the features of standard Grid Tie Inverters, HBL's gridlink inverters offer the unique feature of supporting the solar power plant station loads during non-solar hours - and saving the ...

[Learn More](#)



Integrated Solar & Battery Cabinet for Remote Telecom Systems

Designed for remote locations, it integrates solar controllers, inverters, and lithium battery packs to ensure stable and continuous power for telecom equipment, surveillance systems, and off-grid ...

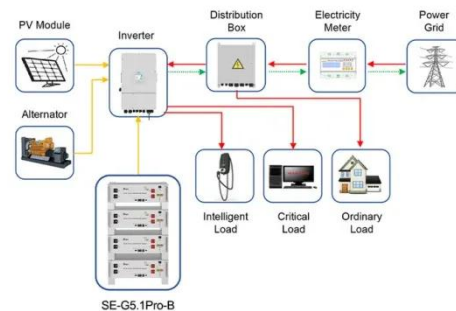
[Learn More](#)



HLBWG Photovoltaic Grid-Connected Cabinet

HLBWG Photovoltaic Grid-Connected Cabinet It can be used in solar photovoltaic power generation systems, and can also be used to convert, distribute and control electrical energy between ...

[Learn More](#)



Application scenarios of energy storage battery products

Grid-connected Photovoltaic Inverter and Battery System for Telecom

Discover how a grid-connected



photovoltaic inverter and battery system enhances telecom cabinet efficiency, reduces costs, and supports eco-friendly operations.

[Learn More](#)

HLBWG Photovoltaic Grid-Connected Cabinet

HLBWG Photovoltaic Grid-Connected Cabinet It can be used in solar ...

[Learn More](#)

LPSB48V400H
48V or 51.2V



Indoor Photovoltaic Telecom Energy Cabinet

Integrates solar input, battery storage, and AC output in a compact single cabinet. Offers continuous power supply to communication base stations--even during outages. Remote diagnosis, ...

[Learn More](#)



BELMOPAN TELECOM

Designed for remote locations, it integrates solar controllers, inverters, and lithium battery packs to ensure stable and continuous power for telecom equipment, surveillance systems, and off

...

[Learn More](#)



Contact Us

For catalog requests, pricing, or partnerships, please visit:
<https://www.v4venison.co.za>

