

Wireless solar container communication station inverter grid-connected power generation



Overview

BoxPower's flagship SolarContainer is a fully integrated microgrid-in-a-box that combines solar PV, battery storage, and intelligent inverters, with optional backup generation. Whether deployed as a standalone microgrid or part of a larger portfolio, our containerized systems ensure rapid. Battery Backup Unit The Green Cubes Guardian Battery Unit (GBU) is a 48V 19" rack-mountable Lithium ion Battery Backup Unit designed to be used with any power system. The GBU Series is designed for d. The whole system is plug-and-play, easy to be transported, installed and maintained. Designed for reliability and ease of deployment, the SolarContainer is ideal for powering critical infrastructure, remote. China Tower is a world-leading tower provider that builds, maintains, and operates site support infrastructure such as telecommunication towers, high-speed rail, subway systems, and large indoor distributed systems. How do inverters provide grid services?

In order to provide grid services, inverters need to have sources of power that they can control.

Wireless solar container communication station inverter grid-conne

Lithium Solar Generator: \$150



5G SOLAR CONTAINER COMMUNICATION STATION INVERTER ...

Baseterre solar container communication station inverter grid-connected solar power generation installation The whole system is plug-and-play, easy to be transported, installed and maintained.

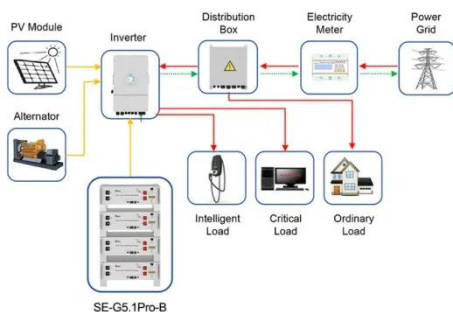
[Learn More](#)

Hybrid Microgrid Technology Platform , BoxPower

BoxPower's flagship SolarContainer is a fully integrated microgrid-in-a-box that combines solar PV, battery storage, and intelligent inverters, with optional backup generation.



[Learn More](#)



Application scenarios of energy storage battery products

Startup project of grid-connected inverter for solar container

As more solar systems are added to the grid, more inverters are being connected to the grid than ever before. Inverter-based generation can produce energy at any frequency and does not have the same inertial ...

[Learn More](#)

Public solar container communication station inverter grid

...

The container integrates all necessary components for off-grid or grid-tied solar power generation, including solar panels, inverters, charge controllers, battery storage

[Learn More](#)



Eastern Europe 5G solar container communication station ...

This article provides a detailed overview of six typical PV communication base station projects worldwide, focusing on their equipment configurations, technical parameters,

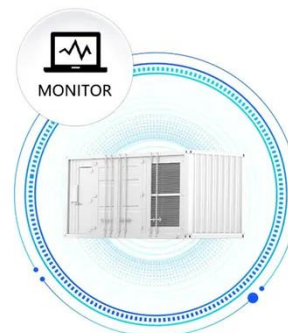
[Learn More](#)

Solar container communication inverter grid-connected factory

This large-capacity, modular outdoor base station seamlessly integrates photovoltaic, wind power, and energy storage to provide a stable DC48V power supply and optical distribution.

[Learn More](#)

SUPPORT REAL-TIME ONLINE
MONITORING OF SYSTEM STATUS



Niamey LTE emergency solar container communication station ...

As West Africa embraces renewable energy, Niamey's new grid-connected photovoltaic inverter factory emerges as a game-changer. This article explores



how this development impacts regional energy access, solar ...

[Learn More](#)

Solar container communication station inverter grid-connected

BoxPower's flagship SolarContainer is a fully integrated microgrid-in-a-box that combines solar PV, battery storage, and intelligent inverters, with optional backup generation.

[Learn More](#)



A comprehensive review of grid-connected inverter topologies and

This comprehensive review examines grid-connected inverter technologies from 2020 to 2025, revealing critical insights that fundamentally challenge industry assumptions about technological ...

[Learn More](#)



Contact Us

For catalog requests, pricing, or partnerships, please visit:
<https://www.v4venison.co.za>

