

Which is better a 20kW photovoltaic container or a traditional generator



Overview

Ultimately, the decision between Container Gensets and traditional generators depends on specific requirements and preferences. generators for backup energy: explore costs, environmental impact, reliability, and how to choose the best option for your home's power security needs. When disaster strikes and the power grid fails, you need a reliable backup power solution that won't leave you in the. Solar generators use sunlight to provide clean, quiet energy, perfect for camping, RVs, or eco-friendly backup. Mobility: While. Cost Savings Over Time: Low costs and tax incentives make solar a smart, long-term investment. Sustainability: Solar panels generate clean energy with zero emissions. Align with eco-friendly goals and improve brand image. After reading this guide, you should have a pretty good idea which will suit your.

Which is better a 20kW photovoltaic container or a traditional generator



Solar Panel Vs Generator: Analyze Which One Is Best? 2026

Compare solar panel vs generator to see which power solution suits you best. Explore pros, cons, costs, and environmental impact to make an informed decision.

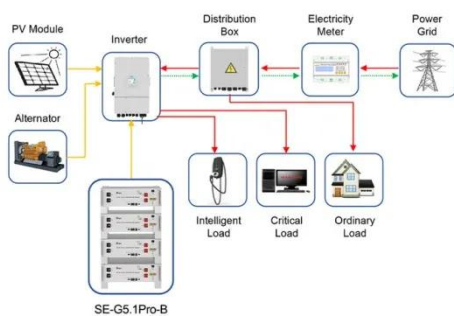
[Learn More](#)

Solar Generators with Panels vs Traditional Generators

So, Solar Generators with Panels vs Traditional Generators - Which Wins? This blog will discuss how each works, compare their pros and cons, and help you find the best fit for your needs.



[Learn More](#)



Application scenarios of energy storage battery products

Generator vs. Solar: Which Is Better for Consistent Power?

The final comparison between solar and generator power concerns their ability to provide consistent, uninterrupted power. Both have a unique edge in this regard.

[Learn More](#)

Traditional vs Solar Wholehouse Generators: The Ultimate

Comparison

Traditional and solar are two types of wholehouse generators commonly used in modern-day homes. Nowadays, most households prefer house solar generators due to their cost-effectiveness and clean ...



[Learn More](#)



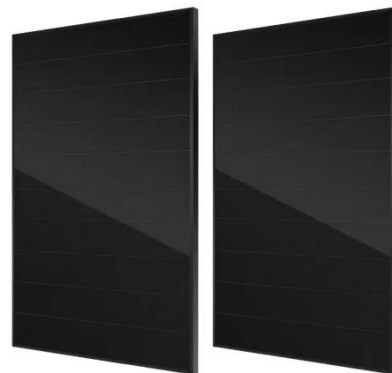
Solar Panel Vs Generator: Analyze Which One Is Best?

Compare solar panel vs generator to see which power solution ...

[Learn More](#)

Generator vs Solar Panels: Which is the Best Power Solution?

When evaluating backup power solutions for your home, understanding the fundamental differences between generators and solar panels is crucial for making an informed decision. Each ...



[Learn More](#)

Solar Panels vs Generator - 101 Generator

When deciding between solar panels and generators for home energy needs, understanding their differences, benefits, and limitations is key. This

comparison explores how solar ...

[Learn More](#)



Solar Power vs Generator: Pros and Cons

If you're trying to choose: solar power vs a generator for your home or business, it's best to look at the pros and cons of each of them to discern which is best for your unique needs.

[Learn More](#)



Container Genset vs. Traditional Generators: Which is Best?

When considering power generation options, many people find themselves comparing Container Gensets to traditional generators. This article aims to clarify the differences and help ...

[Learn More](#)

Comparison of a 20-foot photovoltaic container and a traditional ...

Container Genset vs. Traditional Generators: Which is Best? Container Gensets are typically better suited for

larger, temporary projects, while traditional generators might suffice for smaller, home ...

[Learn More](#)



7 Solar Power vs Generator for Backup Facts Most Homeowners ...

Comparing solar power vs. generators for backup energy: explore costs, environmental impact, reliability, and how to choose the best option for your home's power security needs.

[Learn More](#)

Contact Us

For catalog requests, pricing, or partnerships, please visit:
<https://www.v4venison.co.za>

