

Which energy storage cabinet should i choose in lusaka

Solar



Overview

This guide will help you select the right energy storage power supply – the backbone of reliable electricity in Zambia's bustling capital. With 12–15 hours of daily sunlight and growing solar adoption, Lusaka needs smart energy storage solutions. Consider these 2023. Modern energy storage cabinets for Lusaka's commercial users typically include: A Lusaka-based textile manufacturer reduced energy costs by 37% after installing EK SOLAR's 800kW storage system. The solution: When choosing storage cabinets, verify cycle life ratings. Quality units offer 6,000+. What is a containerized energy storage system?

The Containerized energy storage system refers to large lithium energy storage systems installed in sturdy, portable shipping containers, which usually range from 5ft, 10ft, 20ft, and 40ft, and mainly focus on 50Kwh to 10Mwh.

Which energy storage cabinet should i choose in lusaka



Lusaka Industrial and Commercial Energy Storage Cabinets: ...

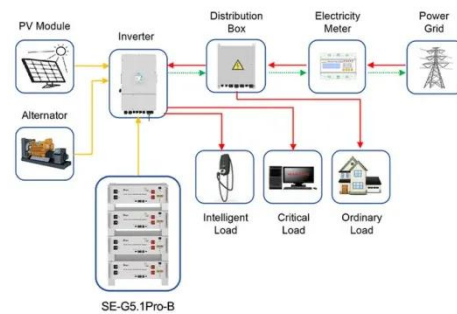
Discover how industrial and commercial energy storage cabinets provide reliable power solutions while cutting operational costs. This guide explores market trends, technical innovations, and real-world ...

[Learn More](#)

LUSAKA ENERGY STORAGE WAREHOUSE CUSTOMIZATION

Why should you choose energy storage cabinets? This ensures that energy storage cabinets can provide a complete solution in emergency situations such as fires. To accommodate different climates, we ...

[Learn More](#)



Application scenarios of energy storage battery products



How to Choose the Best Energy Storage Power Supply in Lusaka: A

Are you struggling with frequent power outages in Lusaka? Do you want to maximize solar energy efficiency for your home or business? This guide will help you select the right energy storage power ...

[Learn More](#)

LUSAKA NEW ENERGY SAVING

ENERGY STORAGE SYSTEM ...

We have extensive manufacturing experience covering services such as battery enclosures, grid energy storage systems, server cabinets and other sheet metal enclosure OEM services..

[Learn More](#)



Lusaka Liquid Cooled Container Energy Storage: The Future of ...

Enter the Lusaka liquid cooled container energy storage system, a game-changer that's making waves from solar farms to industrial complexes. This innovative solution addresses the ...

[Learn More](#)

LUSAKA ENERGY STORAGE BATTERY CONTAINER THE ...

Why should you choose Huijue energy storage cabinet?As a leading innovator in advanced energy systems, Huijue ensures that this cutting-edge system seamlessly supplies sustainable energy for ...

[Learn More](#)



Zambia's Energy Future: How Large Storage Cabinets Power ...

The market's flooded with options, but only 23% meet Zambia's dust and humidity standards. Huijue's corrosion-



resistant coating technology - developed specifically for African conditions - increases ...

[Learn More](#)

LUSAKA COMMERCIAL ENERGY STORAGE CABINET ...

Why should you choose energy storage cabinets? This ensures that energy storage cabinets can provide a complete solution in emergency situations such as fires. To accommodate different climates, we ...

[Learn More](#)



Energy Storage Equipment, Energy storage solutions, Lithium battery

Huijue Group offers industrial and commercial energy storage, PV-BESS -EV Charging, Off-grid / On-grid Microgrid, telecom site solutions, and home solar energy storage, ensuring ...

[Learn More](#)



Lusaka Energy Storage Battery Container: The Future of Power ...

Enter the Lusaka Energy Storage Battery Container - your solar energy's best friend. Designed for industrial and

commercial use, this system targets:

[Learn More](#)



Contact Us

For catalog requests, pricing, or partnerships, please visit:
<https://www.v4venison.co.za>

