

What equipment does the energy storage power station have



What equipment does the energy storage power station have



Energy storage for electricity generation

An energy storage system (ESS) for electricity generation uses electricity (or some other energy source, such as solar-thermal energy) to charge an energy storage system or device, which is discharged to ...

[Learn More](#)

Energy storage systems: what are they and how they work

There are different types of energy storage systems, which differ in their technical characteristics, performance, costs and applications. The most widespread types include: batteries, which are ...



[Learn More](#)



What equipment are there in energy storage power stations?

Energy storage power stations utilize a variety of specialized equipment designed to facilitate the capturing, storing, and releasing of energy. 1. Major compon...

[Learn More](#)

Energy Storage Station Equipment

and Load: Optimizing Power ...

We specialize in large-scale energy storage systems, mobile power stations, distributed generation, microgrids, containerized energy storage, photovoltaic projects, photovoltaic products, solar industry ...

[Learn More](#)



Key Components of an Energy Storage Power Station: Technologies ...

Meta Description: Discover the essential equipment in modern energy storage power stations, including battery systems, inverters, and monitoring tools. Learn how these technologies enable grid stability ...

[Learn More](#)

A Simple Guide to Energy Storage Power Station Operation and

Modern energy storage facilities are equipped with advanced monitoring systems and automation tools. These tools continuously collect data on battery performance, environmental ...

[Learn More](#)



What are the equipments of energy storage power station?

The most common types of energy storage include batteries, pumped hydro



storage systems, and thermal energy storage, each having unique operational mechanisms and applications.

[Learn More](#)

Battery storage power station - a comprehensive guide

These facilities play a crucial role in modern power grids by storing electrical energy for later use. The guide covers the construction, operation, management, and functionalities of these power stations, ...

[Learn More](#)



What equipment is used in energy storage power stations?

Energy storage power stations utilize a variety of equipment to efficiently store and release energy, including advanced batteries, flywheels, and pumped hydro systems.

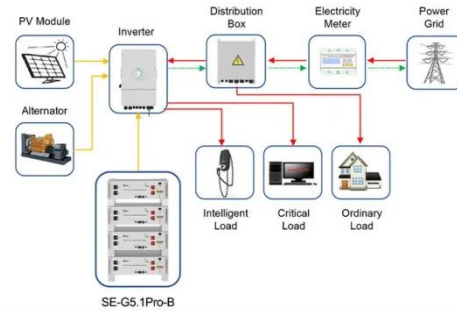
[Learn More](#)

Energy Storage Power Stations: The Backbone of a Sustainable Grid

Imagine your smartphone battery deciding when to charge itself during off-peak hours and automatically sharing

power with your neighbor's phone during emergencies. That's essentially what energy ...

[Learn More](#)



Application scenarios of energy storage battery products

Contact Us

For catalog requests, pricing, or partnerships, please visit:
<https://www.v4venison.co.za>

