

Warsaw Off-Grid Solar Outdoor Cabinet for Mining



Overview

SWA ENERGY outdoor cabinets are engineered for harsh environments and long-term outdoor operation. With IP54/IP55 protection, anti-corrosion design, and intelligent temperature control, they are ideal for telecom base stations, remote power supply, and containerized microgrids. Our outdoor cabinets. Most industrial off-grid solar power systems, such as those used in the oil & gas patch and in traffic control systems, use a battery or multiple batteries that need a place to live, sheltered from the elements and kept dry and secure. It fire commercial and industrial energy storage, photovoltaic diesel storage, is suitable protection, for microgrid dynamic scenarios functions, photovoltaic storage and charging. Feature highlights: The HJ Solar Power PV Container is designed for outdoor industrial applications, offering a robust 50KW-80KW renewable energy system. Whayo Energy Technology Co.

Warsaw Off-Grid Solar Outdoor Cabinet for Mining



Outdoor Cabinet Energy Storage System

With the patented technology of virtual synchronous machine features, it can realize the function of multiple remote free parallels without communication lines and off-grid switching;

[Learn More](#)

Battery Enclosures & Cabinets

This product is perhaps more commonly called a "solar battery box" but is also referred to as a "pole mount battery box". Some battery boxes are large enough to be considered battery cabinets and are ...



[Learn More](#)



Off-grid energy storage cabinet for solar power generation

Off-grid energy storage cabinet for solar power generation -- PWM inverter technology, quasi-sine wave output, stable power supply.

[Learn More](#)

Outdoor Electrical Enclosure for

Harsh Environments

Featuring an IP55/IP65-rated enclosure, it offers excellent resistance to water, dust, and corrosion, making it ideal for solar energy, wind-solar hybrid, off-grid, and industrial backup power systems.

[Learn More](#)



Warsaw Solar Container 50kW

Go big with our modular design for easy additional solar power capacity. Customize your container according to various configurations, power outputs, and storage capacity according to your needs.

[Learn More](#)

Outdoor Cabinet , SWA Energy LiFePO4 Battery Storage Systems

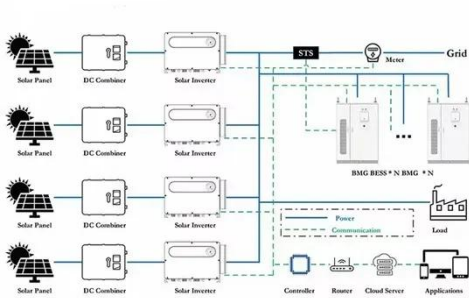
SWA ENERGY outdoor cabinets are engineered for harsh environments and long-term outdoor operation. With IP54/IP55 protection, anti-corrosion design, and intelligent temperature control, they ...

[Learn More](#)



CATL Outdoor All-in-one Cabinet Energy Storage System 90kW 266kWh

o Support peak shaving, off-grid, Solar-Storage-Diesel mode; o Wide voltage



range: 150V~750V, capacity configurable; o STS can be added to achieve seamless switching; Parameters: Max. ...

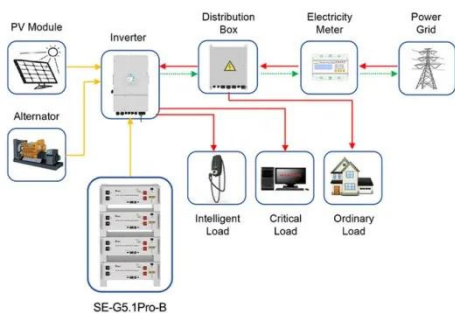
[Learn More](#)

50kW/100kWh outdoor All-in-one all-in-one cabinet energy

50kW/100kWh outdoor cabinet ESS solution (KAC50DP-BC100DE) is designed for small to medium size of C&I energy storage and microgrid applications. Individual pricing for large scale projects and ...



[Learn More](#)



Application scenarios of energy storage battery products

Durable Outdoor Cabinet 225kWh Industrial Construction for Mining ...

Whayo Energy Technology Co., Ltd. is a leading enterprise specializing in the research, development, sales, and service of solar panels, solar inverters, solar batteries, solar systems, and energy storage ...

[Learn More](#)

warsaw solar outdoor power cabinet lithium iron phosphate , etrailer

If you're looking for warsaw solar outdoor power cabinet lithium iron

phosphate, then look no further! Browse our selection or speak to our experts to make sure you have exactly what you're looking for.

[Learn More](#)



Contact Us

For catalog requests, pricing, or partnerships, please visit:
<https://www.v4venison.co.za>

