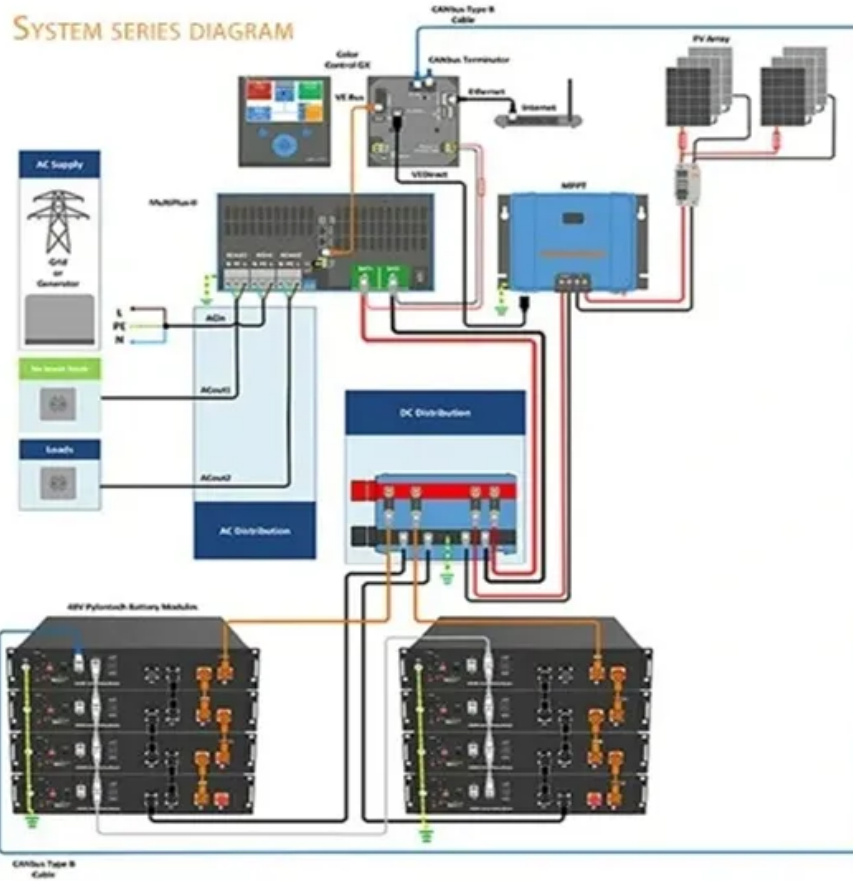


# Victoria energy storage for load shifting



## Overview

---

Victoria's legislated energy storage targets are: at least 6. The energy storage targets will include short, medium and long duration energy storage systems, allowing energy to be moved around during the day to meet demand and to be supplied through longer duration. Explore the intricacies of load shifting in energy storage and discover how to harness the full potential of energy materials for improved efficiency and performance. Short. As global electricity demand grows 3% annually (IEA 2023), Victoria's manufacturers are answering the call with cutting-edge storage solutions that act like a "giant battery for the grid". The installation of a massive \$450 million Tesla Megapack battery energy storage system marks a pivotal moment not only for the state but for the entire global. Determine the most efficient policy or investment options to provide enough long duration energy storage to meet Victoria's needs. 6 gigawatt hours (GWh) of capacity and are part of the government's commitment to enhance.

## Victoria energy storage for load shifting

---



### Australian government supports six new battery storage projects

The Australian Capacity Investment Scheme (CIS) is set to bolster energy storage capabilities in Victoria and South Australia with support for six new large-scale battery projects.

[Learn More](#)

### Victoria Vacation Guide , Tourism Victoria

Here is your ultimate travel guide for your Victoria vacation. Check out the official Destination Greater Victoria vacation guide.

[Learn More](#)



### About Greater Victoria, BC , Tourism Victoria

Victoria combines job opportunities, accessibility, and a high quality of life with a stunning natural environment, warm summers, and mild winters--a city where people worldwide feel at home.

[Learn More](#)



### Victoria's Landmark Battery Storage: The Backbone of

## Australia's

The successful deployment of this landmark battery storage system signifies a hopeful shift towards dependable renewable infrastructure, supporting a vision where sustainable energy is ...

[Learn More](#)



## Attractions in Victoria BC , Tourism Victoria

Discover all the amazing attractions Victoria has to offer, from the famous sprawling gardens and whale watching to the beautiful coastal castles.

[Learn More](#)

## Travel Itineraries for Victoria, BC , Tourism Victoria

Plan your perfect getaway to Victoria with our travel itineraries. Uncover local favourites and see the best of our region with these informative guides.

[Learn More](#)



## Load Shifting in Energy Storage: A Deep Dive

Explore the intricacies of load shifting in energy storage and discover how to harness the full potential of energy materials for improved efficiency and

performance.

[Learn More](#)



### How does energy storage help with load shifting?

Energy storage systems are like the secret weapon for load shifting. They can store energy during off - peak hours when electricity is cheap and abundant, and then release that stored ...

[Learn More](#)



### AEMO , Fact sheet: Load Shedding

Victorian System Strength requirement regulatory investment test for transmission VNI West (Victoria to New South Wales Interconnector West) Integrating Energy Storage Systems (IESS) ...

[Learn More](#)



### Attractions Victoria , Victoria, BC

Visit our website to discover the premiere sights, activities, and culture in Victoria, BC. Plan your vacation with one of our suggested itineraries based on your interests or your neighborhood.

[Learn More](#)

---

### Infrastructure Victoria , Determine long duration energy storage needs



Victoria's 3 remaining coal power plants need to close by 2035 to meet emissions and renewable energy targets. Transition arrangements are in place for 2 of them. As each plant closes, Victoria must ...

[Learn More](#)

---

### Arts, Culture & History

Discover Victoria's vibrant arts, rich culture, and eclectic history at our region's top museums, galleries, and landmarks.

[Learn More](#)

---

### Load Shifting with BESS: Turning Off-Peak Energy into On-Demand ...

Together, immersion cooling technology and HazGuard create a more resilient, safer, and longer-lasting energy storage solution which is ideal for modern load

shifting demands.

[Learn More](#)



---

## Things to Do in Victoria BC , Tourism Victoria

Uncover the limitless things to do in Victoria. From manicured gardens to afternoon tea and whale watching tours there's something for everyone.

[Learn More](#)



---

## Getting Here & Transportation , Tourism Victoria

Choose a nonstop flight to Victoria International Airport, catch a bird's-eye view from a floatplane or helicopter, or enjoy the scenery from aboard a relaxing ferry.

[Learn More](#)



---

## Victoria Visitor Center , Tourism Victoria

As Victoria's official visitor resource, our friendly, knowledgeable staff will answer your questions and more. Drop in for free brochures and maps, to book hotels

and tickets locally and to make ...

[Learn More](#)



### **What are the main benefits of using battery energy storage systems ...**

Battery Energy Storage Systems (BESS) play a critical role in load shifting by enabling the storage of energy during off-peak hours for use during peak times. Here are the main benefits of ...

[Learn More](#)

### **Victoria Energy Storage Power Station Solutions: Powering ...**

From lithium innovations to smart grid integration, Victoria's energy storage solutions are powering a more resilient tomorrow. The question isn't whether to adopt storage tech - it's how soon you can ...

[Learn More](#)



### **Official Victoria BC Vacation & Travel Guide , Tourism Victoria**

Explore a world of possibilities with us in Victoria. From accommodations to experiences, uncover the best of travel

on our platform. Start your journey today

[Learn More](#)

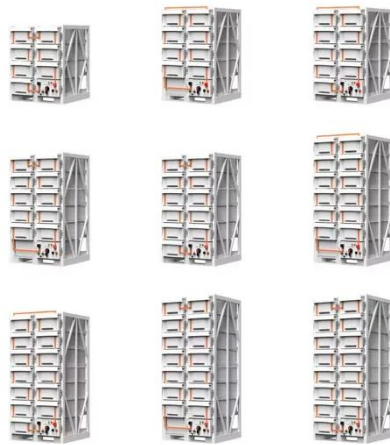


---

## Victorian renewable energy and storage targets

The energy storage targets will include short, medium and long duration energy storage systems, allowing energy to be moved around during the day to meet demand and to be supplied ...

[Learn More](#)



---

## Contact Us

For catalog requests, pricing, or partnerships, please visit:  
<https://www.v4venison.co.za>

