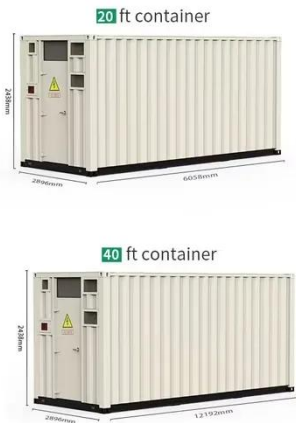


# UK Electricity Storage Cabinet 1500V



## UK Electricity Storage Cabinet 1500V



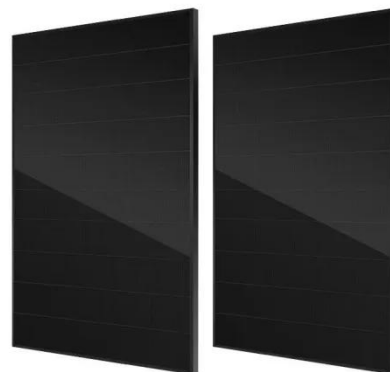
### 1500V 532kWh Outdoor Battery Cabinet Energy Storage Systems ...

Electrical selection compatible with 1000-1500V. also adds 24VDC, which can support black start. Modular PCBA design with convenient expansion for level 2 and 3 (BAMS/ESU). Hot plug design, ...

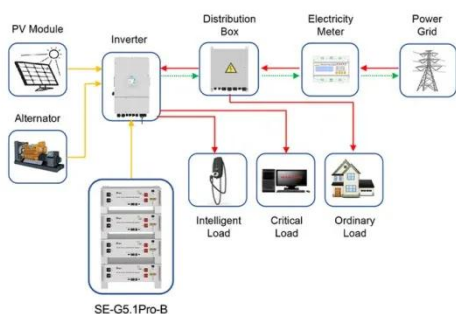
[Learn More](#)

## Energy Storage Cabinet and Water Cooled Cabinet , QINKUAL

QINKUAL specializes in energy storage cabinets, including water-cooled solutions. Our range features 1000V and 1500V DC Liquid Cooling Cabinets in 2P, 1P, and 0.5P configurations, ensuring efficient ...



[Learn More](#)



Application scenarios of energy storage battery products

## Power Cabinets and Power Racks

We have produced DC power cabinets for substations, electroplating, industrial applications, telecommunications and the PAGA market. These systems are extremely diverse and capable of ...

[Learn More](#)

## MEGATRON 373KWH-MEGACUBE-

## Global Leading ONE-STOP PV ...

Energy Storage Cabinet MEGATRON 1500V 373kWh liquid-cooled energy storage battery cabinets are an integrated high energy density, long lasting, battery energy storage system.

[Learn More](#)



**LPW48V100H**  
48.0V or 51.2V



## Energy Storage Connector 120A/200A Quick Terminal IP67 Rated ...

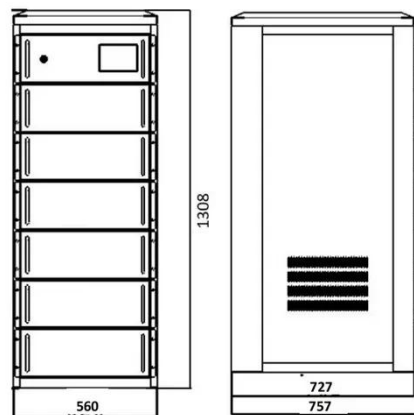
Shop Energy Storage Connector 120A/200A Quick Terminal IP67 Rated 1500V Single Core for Power Battery, Energy Storage Cabinet, Telecom Station, Electric Forklift - for Orange/Black.

[Learn More](#)

## 373kWh Liquid Cooled Energy Storage System

1500V Liquid Cooled Battery Energy Storage System (Outdoor Cabinet). Easily expandable cabinet blocks can combine for multi MW BESS projects.

[Learn More](#)



## The Ultimate Guide to UK Home Energy Storage Systems in 2025

Did you know a typical British home could slash electricity bills by 60% with a



home energy storage system? As Ofgem's price cap keeps playing hopscotch with our wallets in 2025, ...

[Learn More](#)

## Battery Cabinet | Energy Monkey Ltd

Whether you're upgrading a domestic off-grid system or designing a professional commercial installation, these battery cabinets provide the durability, style, and functionality needed for a tidy and ...

[Learn More](#)



## Server Rack Battery Cabinet 15Kwh Capacity , Fogstar UK

Energy Storage Cabinets, designed in the UK and manufactured using the highest quality materials, featuring a thick nickel plated copper busbar system - perfect for both 15kWh and 30kWh rack ...

[Learn More](#)

## 1500v high voltage energy storage integrated system

This reference design fits stackable high-voltage battery energy storage systems

used in large scale utility solutions, industrial and commercial UPS as well as storage for domestic use.

[Learn More](#)



### **Server Rack Battery Cabinet 15Kwh Capacity , Fogstar UK**

Energy Storage Cabinets, designed in the UK and manufactured using the ...

[Learn More](#)

## **Contact Us**

For catalog requests, pricing, or partnerships, please visit:  
<https://www.v4venison.co.za>

