

# The whole process of connecting photovoltaic panels to electricity



## Overview

---

This article walks you through the basics of PV system installation, focusing on the practical steps from mounting modules to connecting the inverter to the electrical grid, and emphasizes the importance of ongoing maintenance to optimize system performance. Let's get into further details. **What to Consider Before Wiring Your Solar Panels?**

Before. Connecting solar panels to your home's electrical system is one of the most effective ways to reduce energy costs and achieve greater energy independence. With solar technology becoming more accessible and affordable in 2025, many homeowners are exploring how to integrate solar power into their. Installing photovoltaic (PV) systems is a key stride toward embracing renewable energy, which is crucial for reducing carbon footprints and fostering sustainable energy use. In this article we will teach you all of these, saving you weeks if not months of hard studying on the subject. Connecting a solar panel involves linking the panels together, then connecting them to a control box and the meter.

## The whole process of connecting photovoltaic panels to electricity



### How to Wire Solar Panels to House: Step-by-Step Instructions

Solar panels convert sunlight into electricity through a process called the photovoltaic effect. When sunlight hits the solar cells in the panels, it excites electrons, creating an electric ...

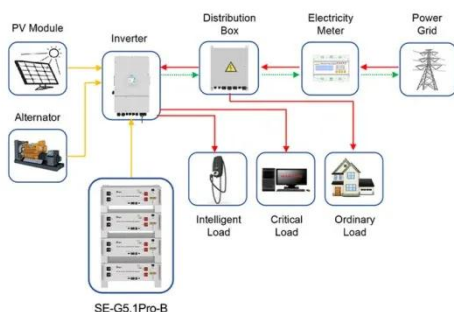
[Learn More](#)

### A Guide to Photovoltaic Systems Installation: From Setup to ...

This article walks you through the basics of PV system installation, focusing on the practical steps from mounting modules to connecting the inverter to the electrical grid, and emphasizes the importance of ...



[Learn More](#)



Application scenarios of energy storage battery products

### How to Connect Solar Panels to House Electricity: Complete 2025 Guide

With solar technology becoming more accessible and affordable in 2025, many homeowners are exploring how to integrate solar power into their existing electrical infrastructure.

[Learn More](#)

## The Complete Guide to Solar Panel

## Wiring Diagrams

Wiring solar panels together incorrectly can lead to damaging or destroying valuable components -- it can even be life-threatening. The total output voltage and current of your array are ...

[Learn More](#)



## ESTEL Step-by-Step Guide to Wiring PV Panels for Beginners

Learn how to wire PV panels safely and efficiently with this beginner-friendly guide. Covers series vs. parallel connections, tools, and step-by-step setup.

[Learn More](#)

## The whole process of connecting photovoltaic panels to electricity

The photovoltaic effect underpins the process of converting solar energy to electricity. When sunlight hits a solar panel, it interacts with photovoltaic cells composed of semiconductors such as silicon.

[Learn More](#)



## Solar Panel Wiring Basics: Complete Guide & Tips to Wire a PV System

Key Concepts and Items Required For Solar Panel Wiring  
Are You Using Microinverters Or String Inverters For



 LFP 48V 100Ah

Your array? Planning The Best Solar Array Configuration For Your PV System Wiring Your Solar Panel Array: Step-By-Step Guide Solar Panel Wiring: Tips from A Professional Up to this point, you learned about the key concepts and planning aspects to consider before wiring solar panels. Now, in this section, we provide you with a step-by-step guide on how to wire solar panels. See more on [solarmagazine solencia](#)

## Solar Panel Connection: A Complete Beginner's Guide

...

Connecting a solar panel involves linking the panels together, then connecting them to a control box and the meter. There are several ways to connect the panels ...

[Learn More](#)

---

### Solar Panel Wiring Basics: Complete Guide & Tips to Wire a PV System

We'll introduce different types of solar panel wiring + break down their steps. You'll also learn what to consider before reasonable wiring.

[Learn More](#)



---

### Solar Panel Wiring Guide: How to Connect Solar Panels

There are three primary types of solar wiring configurations used in the field: In a series connection, the positive terminal

of one solar panel connects to the negative terminal of the next. ...

[Learn More](#)



---

## Solar Panel Connection: A Complete Beginner's Guide 2025

Connecting a solar panel involves linking the panels together, then connecting them to a control box and the meter. There are several ways to connect the panels (series, parallel, mixed) and the choice ...

[Learn More](#)



## Solar Panel Wiring Basics: How to Wire Solar Panels

Master solar panel wiring with this in-depth guide. Learn how to configure series and parallel connections, calculate voltage and current, and safely integrate inverters, charge controllers, and ...

[Learn More](#)

---

## Contact Us

For catalog requests, pricing, or partnerships, please visit:  
<https://www.v4venison.co.za>

