

Sucre solar telecom integrated cabinet lead-acid battery ranking



Overview

This report aims to provide a comprehensive presentation of the global market for Lead-acid Battery for Telecom Base Station, focusing on the total sales volume, sales revenue, price, key companies market share and ranking, together with an analysis of. This report aims to provide a comprehensive presentation of the global market for Lead-acid Battery for Telecom Base Station, focusing on the total sales volume, sales revenue, price, key companies market share and ranking, together with an analysis of. The best telecom batteries for solar power systems are typically lithium-ion or advanced lead-acid types, chosen for high cycle life, deep discharge capability, and reliability. Lithium iron phosphate (LiFePO₄) batteries, such as those from RackBattery, excel in telecom solar applications due to. Buy AZE's ESS Battery Energy Storage Cabinet, it is highly integrated, all-in-one solution with versatile application scenarios, this series provides efficient, safe, and stable smart energy Lead-acid batteries, a time-tested technology, have been pivotal in storing solar energy for later use. Communication backup power is a form of communication energy storage, which usually uses lead-acid batteries or lithium-ion batteries as the energy storage medium. Modern LiFePO₄ rack batteries deliver long cycle life, high efficiency, and strong safety performance. Solutions from experienced. Discover the leading Sucre energy storage inverter brands, their unique advantages, and how they shape renewable energy solutions globally. This solution is completely customizable and flexible to support your application requirement.

Sucre solar telecom integrated cabinet lead-acid battery ranking



What Are the Best Telecom Batteries for Solar Power Systems?

The best telecom batteries for solar power systems are typically lithium-ion or advanced lead-acid types, chosen for high cycle life, deep discharge capability, and reliability.

[Learn More](#)

What Are the Best Telecom Batteries for Reliable Solar Power Systems?

What Are Telecom Batteries for Solar? Telecom batteries for solar are energy storage systems that capture and store electricity generated by solar panels to power telecom base stations. These ...

[Learn More](#)

Highvoltage Battery



To Strive forward No Energy Waste



- ✓ All in one
- ✓ 100~215kWh High-capacity
- ✓ Intelligent Integration

Lead-acid Battery for Telecom Base Station

The Lead-acid Battery for Telecom Base Station market size, estimations, and forecasts are provided in terms of sales volume (KWh) and sales revenue (\$ millions), considering 2023 as the base year, with ...

[Learn More](#)

INTEGRATED TELECOM BASE

STATION CABINET POLE

It integrates the photovoltaic, wind energy, rectifier modules, and lithium batteries for a stable power supply, backup power, and optical network access in one enclosure. This versatile energy cabinet ...

[Learn More](#)



Product Details



STRATEGIC INSIGHTS FOR LEAD ACID BATTERY FOR TELECOM ...

Next-generation battery management systems maintain optimal performance with 40% less energy loss, extending battery lifespan to 15+ years. Standardized plug-and-play designs have reduced ...

[Learn More](#)

Telecom Power Systems: The Role of Lead-Acid Batteries

This article explores the critical function of lead-acid batteries in telecom power systems, their advantages, deployment strategies, and why they remain a trusted energy storage solution in a ...

[Learn More](#)



Lead-acid batteries for solar telecom integrated cabinets and energy

Lead-acid batteries, a time-tested technology, have been pivotal in storing



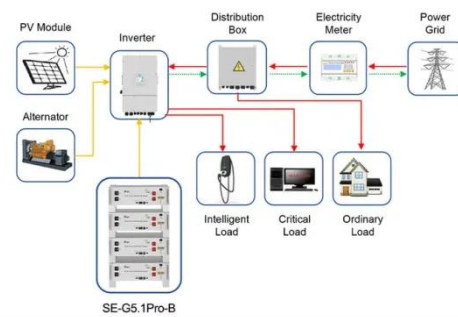
solar energy for later use. However, as with all technologies, they come with a blend of benefits and drawbacks.

[Learn More](#)

Top Sucre Energy Storage Inverter Brands in 2024: Performance

In Sucre's rapidly growing renewable energy market, these devices ensure efficient power conversion, grid stability, and cost savings. But with so many brands competing, how do you choose the right one?

[Learn More](#)



Application scenarios of energy storage battery products



What Are the Best Solar Batteries for Remote Telecommunications ...

The best solar batteries for remote telecommunications sites combine high energy density, durability, and temperature resilience. Lithium-ion batteries, such as those from Tesla, LG ...

[Learn More](#)

Battery Cabinet, Battery Storage Cabinet, Battery Bank Rack

The cabinet or racking system can be specified to accommodate any battery cell.

From flooded to sealed, from lead acid to nickel cadmium and from vertical to horizontal all kinds of battery cabinet / rack can ...

[Learn More](#)



Contact Us

For catalog requests, pricing, or partnerships, please visit:
<https://www.v4venison.co.za>

