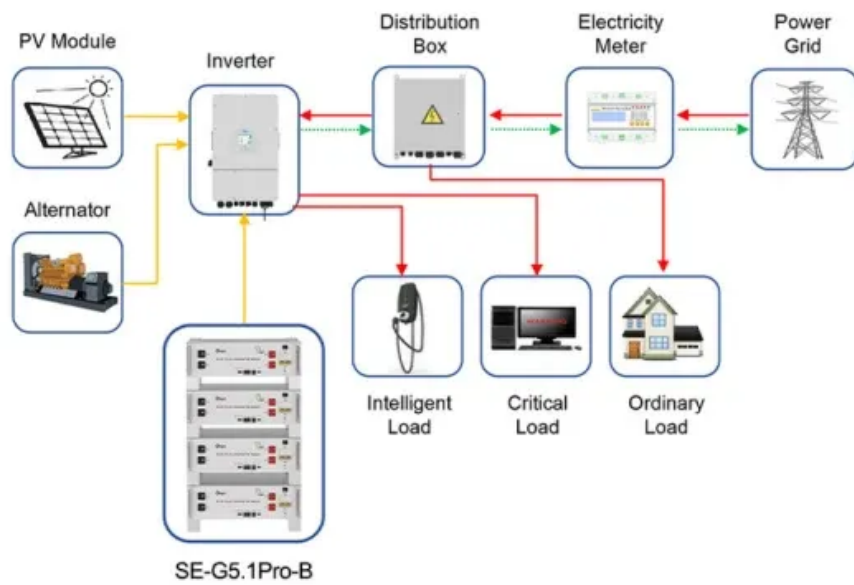


Sucre Energy Storage Container 120kW



Application scenarios of energy storage battery products



Sucre Energy Storage Container 120kW

Commercial and Industrial ESS

Air Cooling / Liquid Cooling

- Budget Friendly Solution
- Renewable Energy Integration
- Modular Design for Flexible Expansion



Sucre Energy Storage Container Specifications

The launch of the solar power and battery storage project marks a pivotal moment in the clean energy transformation, allowing renewable energy to be dispatched 24 hours a day, seven days a week, ...

[Learn More](#)

SUCRE ENERGY STORAGE CONTAINER SPECIFICATIONS

The project, considered the world's largest solar-storage project, will install 3.5GW of solar photovoltaic capacity and a 4.5GWh battery storage system. The project has commenced in November 2024. [pdf]

[Learn More](#)



Sucre base station uses photovoltaic energy storage container for

SCU Containerized Battery Energy Storage System (BESS) with high energy density, reliable in harsh environments, could create tremendous value and flexibility for customers by utilizing stored energy ...

[Learn More](#)

SUCRE CONTAINER ENERGY STORAGE IS AFFORDABLE

A mobile solar container is a factory-built, transportable unit that integrates solar panels, battery storage, and power controls--providing plug-and-play, rapid-deploy clean electricity for remote sites, events, ...

[Learn More](#)



Sucre solar container lithium battery PACK factory

Customize your container according to various configurations, power outputs, and storage capacity according to your needs. Lower your environmental impact and achieve sustainability objectives by ...

[Learn More](#)

SUCRE ENERGY STORAGE CONTAINER SPECIFICATIONS

As a flexible and mobile energy storage solution, energy storage containers have broad application prospects in grid regulation, emergency backup power, and renewable energy integration. [pdf]

[Learn More](#)



Sucre energy storage container specifications

The Battery Energy Storage System (BESS) container design sequence is a



series of steps that outline the design and development of a containerized energy storage system.

[Learn More](#)

Sucre Industrial Park Energy Storage System: Powering Sustainable

Summary: Discover how the Sucre Industrial Park Energy Storage System addresses energy reliability challenges while supporting renewable integration. Learn about its innovative design, cost-saving ...

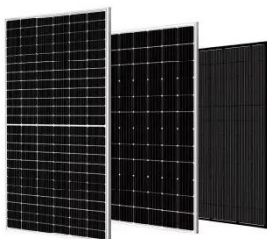
[Learn More](#)



SUCRE ENERGY STORAGE CONTAINER SPECIFICATIONS

What is energy storage container? SCU uses standard battery modules, PCS modules, BMS, EMS, and other systems to form standard containers to build large-scale grid-side energy storage projects..

[Learn More](#)



Auction price result for Sucre+Smart+Photovoltaic+Energy+Storage

Explore our past auction prices and

results database to track the auction results for Sucre+Smart+Photovoltaic+Energy+Storage+Container+120ft. Start your search now for valuable ...

[Learn More](#)



Contact Us

For catalog requests, pricing, or partnerships, please visit:
<https://www.v4venison.co.za>

