

Standard solar Energy Storage System Project



Overview

Solar power is essential, but it is not always available when you need it. Battery Energy Storage Systems (BESS) fill that gap by storing excess solar energy for later use, improving grid stability, reducing costs, and boosting project resilience. RWE continues to expand its renewables portfolio in the U., connecting its first utility-scale battery energy storage system (BESS) to the California Independent System Operator. Department of Energy (DOE) Federal Energy Management Program (FEMP) and others can employ to evaluate performance of deployed BESS or solar photovoltaic (PV) +BESS systems. power grid in 2025 in our latest Preliminary Monthly Electric Generator Inventory report. This amount represents an almost 30% increase from 2024 when 48.6 GW of capacity was installed, the largest. This report is available at no cost from the National Renewable Energy Laboratory (NREL) at www.nrel.gov. National Renewable Energy Laboratory, Sandia National Laboratory, SunSpec Alliance, and the SunShot National Laboratory Multiyear Partnership (SuNLaMP) PV O&M Best Practices.

Standard solar Energy Storage System Project



Solar, battery storage to lead new U.S. generating capacity additions

Together, solar and battery storage account for 81% of the expected total capacity additions, with solar making up over 50% of the increase. Solar. In 2024, generators added a record 30 GW of utility ...

[Learn More](#)

Top 10: Energy Storage Projects , Energy Magazine

Operational for 10 years, Green Mountain Power's Stafford Hill Solar + Storage Project combines solar power with battery storage to create a resilient and reliable power system for the community.



[Learn More](#)



Battery Energy Storage System Evaluation Method

This report describes development of an effort to assess Battery Energy Storage System (BESS) performance that the U.S. Department of Energy (DOE) Federal Energy Management Program (FEMP) and others can ...

[Learn More](#)

Energy Storage Systems (ESS) and Solar Safety

NFPA is keeping pace with the surge in energy storage and solar technology by undertaking initiatives including training, standards development, and research so that various stakeholders can safely embrace renewable ...

[Learn More](#)



Utility-scale battery energy storage system (BESS)

This reference design focuses on an FTM utility-scale battery storage system with a typical storage capacity ranging from around a few megawatt-hours (MWh) to hundreds of MWh.

[Learn More](#)

Understanding Solar Storage

The information presented in the guide focuses primarily on customer-sited, behind-the-meter solar+storage installations, though much of the information is relevant to other types of projects as well, including storage ...

[Learn More](#)

Lithium Solar Generator: \$150



Best Practices for Operation and Maintenance of Photovoltaic ...

Best Practices for Operation and Maintenance of Photovoltaic and Energy Storage Systems; 3rd Edition. Golden, CO: National Renewable Energy

Laboratory. NREL/TP-7A40-73822. ...

[Learn More](#)



Why Your Solar Energy Projects Need Battery Energy Storage Systems

Battery Energy Storage Systems (BESS) fill that gap by storing excess solar energy for later use, improving grid stability, reducing costs, and boosting project resilience. Learn why solar-plus-storage is ...

[Learn More](#)



RWE connects its first utility-scale battery storage project to the

The solar panels onsite will leverage a racking system with solar trackers, designed to follow the sun's path and increase energy output. Excess energy not sent to the grid will be stored in an on-site lithium ...

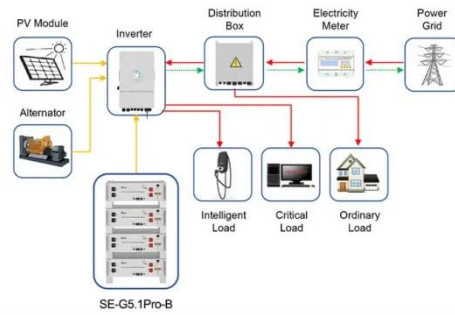
[Learn More](#)



RWE's largest utility-scale energy storage system goes live in California

RWE continues to expand its renewables portfolio in the U.S., connecting its first utility-scale battery energy storage system (BESS) to the California Independent System Operator. The project, Fifth ...

[Learn More](#)



Application scenarios of energy storage battery products

Contact Us

For catalog requests, pricing, or partnerships, please visit:
<https://www.v4venison.co.za>

