

Southeast asia cabinet solar bess enclosure system



Southeast asia cabinet solar bess enclosure system



Southeast Asia Solar Storage Solutions: Real Customer Case Studies

Real Southeast Asia solar storage case studies with inverters, lithium batteries, and PV systems. Discover BESS growth trends, savings up to 70%, and grid independence.

[Learn More](#)

ABB BESS Paper

Capacity: A 3-megawatt solar power plant coupled with a 4MW battery energy storage system (BESS) has been established to address the province's energy security needs and mitigate frequent power ...

[Learn More](#)



Battery Energy Storage Systems Development

Construction of the 285MWh giant container-like battery system was built in just six months, becoming the fastest BESS of its size in the world to be completed.

[Learn More](#)

Battery energy storage systems:

Southeast Asia's key to renewable

In an article featured on The Business Times, Rodrigo Hernandezvara, Head of Solar C& I at ENGIE highlights how Battery Energy Storage Systems (BESS), combined with renewable energy sources ...

[Learn More](#)



SolarEast BESS at Vietnam Energy Week , Leading Energy Storage ...

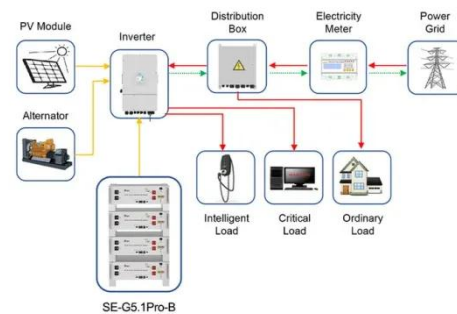
SolarEast BESS showcased its latest commercial and industrial BESS solutions at Vietnam Energy Week Southeast Asia 2025. As a trusted energy storage cabinet supplier, we deliver ...

[Learn More](#)

How AZE Systems Manufactures BESS Battery Energy Storage ...

AZE Systems designs and manufactures robust outdoor enclosures and cabinets that protect sensitive equipment from harsh environmental conditions. These enclosures are widely used ...

[Learn More](#)



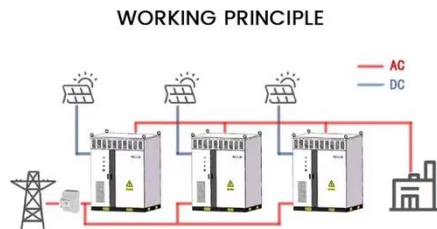
Application scenarios of energy storage battery products

Southeast Asia Battery Storage Market 2030: Trends, Policy, and

In most of Southeast Asia, front-of-the-meter (FTM) storage is being driven by utility-scale solar and wind integration, often tied to government auctions

(Philippines, Vietnam) or ...

[Learn More](#)



Unlocking the potential of Battery Energy Storage Systems (BESS) for

Installations show that pre-integrated BESS solutions are not only scalable and reliable, but also essential for regions like Southeast Asia where power reliability and rapid infrastructure ...

[Learn More](#)



2MW distributed energy storage battery cabinet in Southeast Asia

ICEENG CABINET serves customers in 18+ countries across Africa, providing outdoor communication cabinets, power equipment enclosures, and battery energy storage cabinets for telecommunications, ...

[Learn More](#)



Sungrow and Super Energy Work on the Largest BESS Project in Southeast Asia

Sungrow will supply the comprehensive PV plus BESS solution, comprising of

49.01 MW PV inverter solutions and 45 MW/136.24 MWh battery energy storage system. This project is ...

[Learn More](#)



Contact Us

For catalog requests, pricing, or partnerships, please visit:
<https://www.v4venison.co.za>

