

# Solar power generation mirror tube welding



## Solar power generation mirror tube welding

---



### Australia made a breakthrough in using mirrors to generate solar power

Australia made a breakthrough in using mirrors to generate solar power "This is significant because it creates the opportunity for greater renewable energy storage."

[Learn More](#)

---

### Solar Receiver Collector Thermal HCE CSP Parabolic Mirror and ...

Apollo Solar Welding offers services for welding and assembly of CSP HCE solar receiver collector tubes in parabolic mirror assemblies .

[Learn More](#)

---

### Highvoltage Battery



### How do solar thermal power plants generate electricity?

Solar thermal power plants, also referred to as concentrating solar power (CSP) plants, utilize mirrors to focus the sun's energy onto a receiver where a fluid is heated and used to drive a generator. There ...

[Learn More](#)

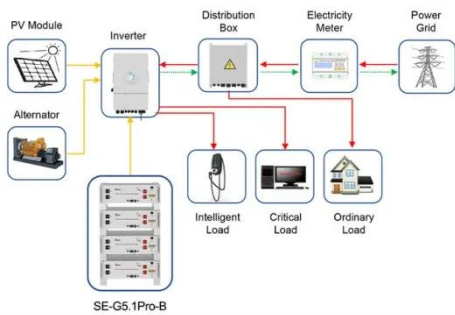
---

## DEVELOPMENT OF A SOLAR

## POWERED WELDING POWER ...

The present work has been carried out by interfacing the Monocrystalline solar panels with the TIG welding power source using electrical connections made with the solar powered batteries ...

[Learn More](#)



Application scenarios of energy storage battery products

## Solar steam generators

Principles CSP (Concentrated Solar Power) solar systems produce thermal energy (heat) through the use of mirrors. These systems focus solar radiation on a receiver SUNCNIM has designed its own ...

[Learn More](#)

## Orbital welding gear fuses productivity to precision for solar power

When Lauren Engineers and Constructors, Abilene, Texas, needed welding equipment and a procedure for joining tubular assemblies for a challenging solar power project, it found that an ...

[Learn More](#)



## Concentrating Solar Power: Energy from Mirrors

The southwestern United States is focusing on concentrating solar energy because it's one of the world's best



areas for sun-light. The Southwest receives up to twice the sunlight as other ...

[Learn More](#)

## MIRROR BASED POWER GENERATION

In the mirror based power generation system the focus is on the technology of parabolic dish power plants, a proven technology for solar power generation. The large scale in parabolic dish ...



[Learn More](#)



## Application of Gas Welding in Solar Power Installation Projects

The technological trajectory of gas welding in solar power applications has been marked by continuous improvements in welding equipment, consumables, and methodologies. These ...

[Learn More](#)

## Solar steam generators

The southwestern United States is focusing on concentrating solar energy because it's one of the world's best areas for sun-light. The Southwest

receives up to twice the sunlight as other ...

[Learn More](#)



## Linear Concentrator System Concentrating Solar-Thermal Power

...

Linear concentrating solar power (CSP) collectors capture the sun's energy with large mirrors that reflect and focus the sunlight onto a linear receiver tube. The receiver contains a fluid ...

[Learn More](#)

## Contact Us

For catalog requests, pricing, or partnerships, please visit:  
<https://www.v4venison.co.za>

