

Solar panels directly to inverter



Solar panels directly to inverter



How to Connect Solar Panel to Inverter Without Battery: A Simple ...

...

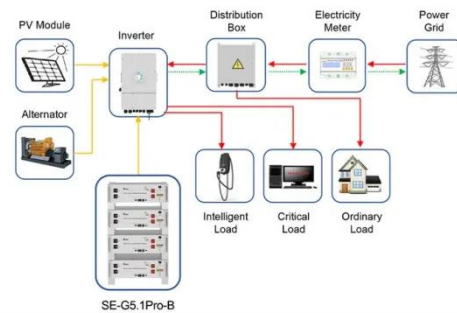
In this article, you'll learn the straightforward steps to connect your solar panels to an inverter without the need for batteries. You'll discover the benefits of this setup and how it can make ...

[Learn More](#)

How to connect a solar panel to an existing inverter?

If the inverter is designed for direct solar input (as in hybrid or grid-tie inverters), you can connect the solar panel directly to the inverter, provided the voltage and current specifications are ...

[Learn More](#)



Application scenarios of energy storage battery products



Connect Solar Panels To An Inverter: A Step-by-Step Guide

In this guide, I will walk you through a step-by-step process to seamlessly connect your solar panels to an inverter, enabling you to fully enjoy the benefits of solar energy while contributing to a greener and ...

[Learn More](#)

Can You Run an Inverter Directly from a Solar Panel?

Yes, you can connect to a solar panel without a battery but it is not recommended. This is because the power being supplied to your inverter will be inconsistent. Realistically, you'll only be able to run ...

[Learn More](#)



How to connect solar panels to inverter and battery in 3 steps

Normally, you don't directly connect solar panels to inverter. The voltage of PV modules, even when wired in parallel, is too high for a small off-grid inverter. The inverter will work but high ...

[Learn More](#)

Solar Panel & Power Inverter: Get Stable Power The Right Way

It is not a good idea to connect a solar panel straight to an inverter because the panel's power output is not stable. Voltage changes all the time because of the sun, which can damage the ...

[Learn More](#)



Can I Connect My Solar Panels Directly to My Inverter?

While it's technically possible to connect solar panels directly to an inverter, it's not always the safest or most efficient choice. Using a charge controller, proper

wiring, and protective ...

[Learn More](#)



How to Connect Solar Panels Directly to an Inverter

It is not a good idea to connect a solar panel straight to an inverter because the panel's power output is not stable. Voltage changes all the time ...

[Learn More](#)



How to Connect Solar Panels Directly to an Inverter

You can connect a solar panel directly to an inverter and run your appliances. Solar panels can be plugged directly into an inverter input. In a grid tied system, the solar panels and inverter do not need ...

[Learn More](#)

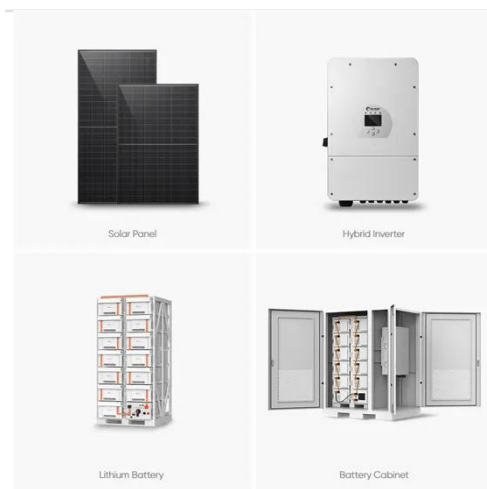


Can I connect an inverter directly to a solar panel

There's a common question among solar energy enthusiasts: can you connect an inverter directly to a solar panel?

Understanding the relationship between these components is ...

[Learn More](#)



Demystifying 'Can I Connect Solar Panel Directly to Inverter': 5 Top

While the initial question "can I connect solar panel directly to inverter" usually points to the need for a charge controller, the accessories reviewed here are about enabling safe, efficient, ...

[Learn More](#)

Contact Us

For catalog requests, pricing, or partnerships, please visit:
<https://www.v4venison.co.za>

