

# Solar container lithium battery pack is a single cell charging



## Overview

---

When charging a battery pack made up of several lithium-ion cells in series, always use a charger designed for the combined voltage. For example, if you have three 4. Using the wrong. The UNICELL single-cell storage solution is an advanced, versatile energy storage system built around a single 3. Unlike traditional 12V or 24V battery packs that rely on multiple cells in series and require complex Battery Management System (BMS) balancing, UNICELL uses a. But, battery terms like cell, module, and pack can mix people up. They are often used in the same way. Battery management system charges and maintains your auxiliary batteries. Lithium batteries are CATL brand, whose LFP chemistry packs 1 MWh of energy into a battery volume of 2. Our design incorporates safety protection.

## Solar container lithium battery pack is a single cell charging



### Battery Energy Storage System Components

Explore the key components of a battery energy storage system and how each part contributes to performance, reliability, and efficiency.

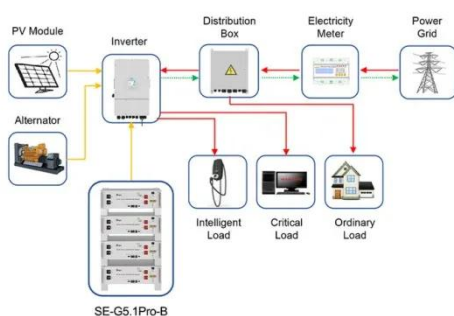
[Learn More](#)

### Traditional 12V/24V Battery Packs vs UNICELL Single-Cell Storage

By combining a single 3.2V LiFePO4 prismatic cell with a bidirectional DC-DC converter, UNICELL eliminates the complexity of traditional 12V/24V battery packs while delivering reliable ...



[Learn More](#)



Application scenarios of energy storage battery products

### How Do Solar Batteries Work: Complete Guide To Solar Energy ...

Modern solar batteries can typically charge from 0% to 100% in 2-4 hours during peak sun conditions, depending on battery size and solar array capacity.

[Learn More](#)

### Containerized energy storage , Microgreen.ca

CATL 's 280Ah LiFePO4 (LFP) cell is the safest and most stable chemistry among all types of lithium ion batteries, while achieving 6,000 charging cycles or more.

[Learn More](#)

**INTEGRATED DESIGN**  
EASY TO TRANSPORT AND INSTALL,  
FLEXIBLE DEPLOYMENT



## Lithium-Ion Battery

Lithium-Ion Battery What is a lithium-ion battery and how does it work? The lithium-ion (Li-ion) battery is the predominant commercial form of rechargeable battery, widely used in portable electronics and ...

[Learn More](#)

## Single charging of a series solar container lithium battery pack

When charging a battery pack made up of several lithium-ion cells in series, always use a charger designed for the combined voltage. For example, if you have three 4.2-volt cells in series, you'll need ...

[Learn More](#)



## Battery Cell, Module, or Pack: What's the difference?

Each component serves a unique role: battery cells are the individual units that store energy, modules are groups of



cells connected together, and packs are assemblies of modules that deliver power to ...

[Learn More](#)

## Lithium-Ion Solar Battery: Definition and How it Works

What is a Lithium-Ion Solar Battery? A lithium-ion solar battery is a type of rechargeable battery used in solar power systems to store the electrical energy generated by photovoltaic (PV) ...

[Learn More](#)



## 12.8V 200Ah



## solar container lithium battery packs , etrailer

Peruse our extensive collection of solar container lithium battery packs to narrow down your selection for the perfect fit.

[Learn More](#)

## Strings, Parallel Cells, and Parallel Strings

Even though 8 cells are used, because each cell is paralleled with one other cell, the BMS can treat each pair of cells as a single cell. This allows the designer

to use a smaller BMS. The above ...

[Learn More](#)



---

## Contact Us

For catalog requests, pricing, or partnerships, please visit:  
<https://www.v4venison.co.za>

