

# Solar container battery module voltage



## Overview

---

These are the top categories that form the core of any mobile solar container:

**PV Capacity:** Usually between 5 kW and 50 kW. **Battery Bank:** LiFePO<sub>4</sub> batteries with 10–100 kWh capacity. Our containerized Battery Energy Storage Solution (BESS) provides a fully customizable and scalable power solution to meet your specific energy needs. Whether you need grid balancing, mini-grid solutions, or peak shaving, our BESS containers are engineered for unmatched reliability and performance. RPS supplies the shipping container, solar, inverter, GEL or LiFePo battery bank, panel mounting, fully framed windows, insulation, door, exterior + interior paint, flooring, overhead lighting, mini-split + more customizations! RPS can customize the Barebones and Move-In Ready options to any design. Solar power containers typically range from 10-foot to 40-foot standard shipping container sizes, with power generation capacities from 10 kW to over 500 kW depending on configuration and application requirements. The modular architecture of solar power containers makes them exceptionally versatile. The battery cluster consists of modules connected in series, and the whole battery system is controlled by BCM to monitor the cluster voltage and current in real time. The battery module consists of LiFePo<sub>4</sub> battery cells. It adopts distributed BMM control system with functions of collecting the. Ask yourself this question: Would a 10 kW panel array be sufficient for field laboratories in off-grid locations?

That is with adequate battery capacity and inverter support.

## Solar container battery module voltage

---



### UNLOCKING OFF-GRID POWER: THE ULTIMATE GUIDE TO SOLAR ...

Solar energy containers encapsulate cutting-edge technology designed to capture and convert sunlight into usable electricity, particularly in remote or off-grid locations. Comprising solar ...

[Learn More](#)

---

### Instant Off-Grid(TM) Shipping Containers with Solar and Batteries and AC+

Delivering 10,000W of rated power output, this rugged pure sine wave hybrid inverter is capable of pairing with either GEL or LI batteries. Dual MPPTs provide 99% efficiency. Provides 120V and 220V ...



[Learn More](#)

---

### Off-grid container power systems

The battery cluster consists of modules connected in series, and the whole battery system is controlled by BCM to monitor the cluster voltage and current in real time. The battery module consists of ...

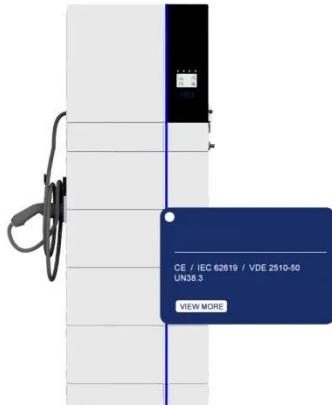
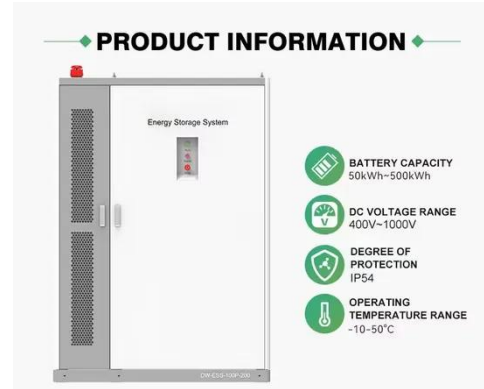


[Learn More](#)

## Solar Panels for Shipping Containers

Upgrade your shipping container home or office with a solar power kit and make the transition to off the grid living effortless! This system is designed to easily connect all your essential appliances (air ...

[Learn More](#)



## Off-Grid Containers Spec Sheet

Choose from nine different system variants, including battery bank options of 24V (3K) or 48V (6K and 12K), as well as solar panel options ranging from 600W (3K) to 2,400W.

[Learn More](#)

## Solar Power Container: Complete Guide to Portable Solar Energy ...

A solar power container is a self-contained, portable energy generation system housed within a standardized shipping container or custom enclosure. These turnkey solutions integrate ...

[Learn More](#)



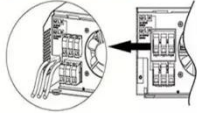
## Off-grid container power systems

Find the most crucial Mobile Solar Container Technical Parameters--ranging from PV capacity to inverter specifications--that make the ...

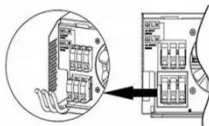
Parallel (Parallel operation up to 6 unit (only with battery connected))



AC input wires



AC output wires



[Learn More](#)

## SolaraBox Solar Containers , Products & Configurations

Explore SolaraBox's solar container product lineup--modular, scalable, high-efficiency systems. Download specs, compare models, request quote.

[Learn More](#)



## Containerised BESS Energy Storage Solutions , 0.5

Solar MD's high voltage batteries store more energy in a compact size, allowing for greater energy storage capacity without occupying excessive space. BESS solutions are modular, enabling easy ...

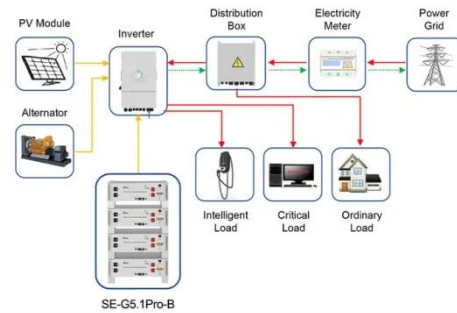
[Learn More](#)

## Mobile Solar Container Technical Parameters: What You Need to Know

Find the most crucial Mobile Solar Container Technical Parameters--ranging

from PV capacity to inverter specifications--that make the performance of off-grid energy optimal. See how ...

[Learn More](#)



Application scenarios of energy storage battery products

## Contact Us

For catalog requests, pricing, or partnerships, please visit:  
<https://www.v4venison.co.za>

