

# Solar Photovoltaic Power Generation Lightning Protection Grounding



## Solar Photovoltaic Power Generation Lightning Protection Grounding



### Solar Installation Lightning Protection: What You Must Know

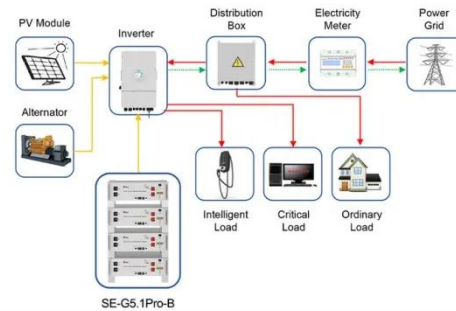
Learn step-by-step how to safeguard your solar installation from lightning damage with grounding, surge protectors, and lightning rods.

[Learn More](#)

### Lightning Protection for Photovoltaic Systems: Safeguarding Your ...

Learn about the importance of lightning protection for photovoltaic systems in this detailed guide. Discover effective strategies, including passive and active protection measures, surge ...

[Learn More](#)



Application scenarios of energy storage battery products



### The Ultimate Guide to Lightning Protection and Grounding for C& I PV

This guide provides a comprehensive overview of best practices for lightning protection and grounding in PV power plants, ensuring long-term safety, efficiency, and operational stability for ...

[Learn More](#)

### Grounding and Methods of Earthing

## in PV Solar System

For lightning protection associated with grounding systems, refer to NFPA 780 and NEC 250.106. Similarly, IEC 60364, IEC 62305-3, and BS 7430 recommend connecting lightning arresters used for ...

[Learn More](#)



## How to protect your solar power system from lightning

Get Grounded  
Grounding Rods  
Grounding Power Circuits  
Array Wiring & "Twisted Pair" Technique  
Additional Lightning Protection  
Lightning Arrestors  
Lightning Rods  
Out of Sight, Not Out of Mind  
Grounding is the most fundamental technique for protection against lightning damage. You can't stop a lightning surge, but you can give it a direct path to ground that bypasses your valuable equipment and safely discharges the surge into the earth. An electrical path to ground will constantly discharge static electricity that accumulates in an abov See more on solarinsure Author: Ki SongZANDZ

## Grounding and lightning protection of solar power

...

Therefore, it is strongly recommended that in the design of such installations, special emphasis should be placed on lightning protection and grounding of ...

[Learn More](#)

## How to protect your solar power system from lightning

Grounding is the most fundamental technique for protection against lightning damage. You can't stop a lightning surge, but you can give it a direct path to ground that bypasses your valuable equipment ...

[Learn More](#)

## Grounding Methods for Photovoltaic Lightning Protection

Proper grounding is a critical safety measure for photovoltaic (PV) systems. With advances in solar technology, companies like Bluesun Solar are leading the way in offering innovative and reliable ...

[Learn More](#)

## Grounding and lightning protection of solar power systems (photovoltaic)

Therefore, it is strongly recommended that in the design of such installations, special emphasis should be placed on lightning protection and grounding of these objects in order to avoid damaging the ...

[Learn More](#)

## Grounded Power: Mastering Solar System Grounding and Lightning

## Protection



Given the complexity and critical safety implications, the design and installation of a lightning protection system for solar panels should always be performed by a qualified professional ...

[Learn More](#)

---

## Microsoft Word

Lightning protection systems (LPS) provide a protective zone to assure against direct strikes to PV systems by utilizing basic principles of air terminals, down conductors, equipotential bonding, ...

[Learn More](#)



---

## External Lightning Protection and Grounding to Reduce Stress in

Dedicated lightning current paths ensure adequate distribution through structures and grounding. Reducing the distribution capabilities will overstress SPDs and various other equipment. Damage ...

[Learn More](#)



---

## Contact Us

For catalog requests, pricing, or partnerships, please visit:  
<https://www.v4venison.co.za>

