

Solar Energy Storage in Afghanistan



Overview

Afghanistan's Ministry of Energy finally released its Solar Energy Framework in January 2025, addressing crucial issues like: The framework could boost annual PV installations by 150% if properly implemented. But let's be real - enforcement remains shaky in conflict-affected. Arif Aga, director at renewable energy engineering consultant SgurrEnergy. This article explores how solar-storage integration addresses energy deficits while aligning with global renewable trends. But here's the twist: Afghanistan gets over 300 sunny days a year. These systems combine 100kW photovoltaic arrays with 250kWh battery banks, providing 24/7 power for \$0.

Solar Energy Storage in Afghanistan



Afghanistan Energy Storage Inverter Supply: Powering a Sustainable

With only 34% of Afghan households connected to the grid (World Bank, 2023), energy storage systems paired with solar/wind installations have become critical. High-quality inverters serve as the ...

[Learn More](#)

Afghanistan's Energy Storage and Photovoltaic Ranking: Challenges ...

Lithium-ion systems currently dominate Afghanistan's energy storage landscape, but adoption faces unexpected hurdles. Local technicians often prefer lead-acid batteries - they're cheaper upfront and ...



[Learn More](#)

Afghanistan's New Energy Storage System: Powering a Renewable ...

Afghanistan's energy storage initiative marks a turning point in sustainable infrastructure development. By combining solar generation with smart storage, the country is creating a replicable model for ...

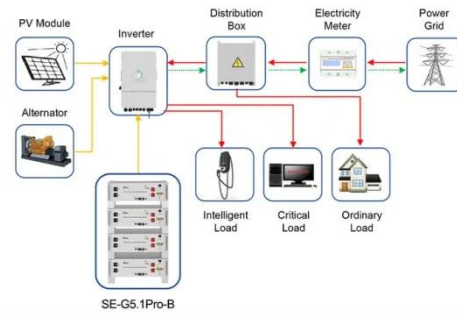


[Learn More](#)

Afghanistan Photovoltaic Power Station Energy Storage System

One of the largest off-grid solar systems in the world, producing 1 MW of power, this vast PV array coupled with advanced lead battery energy storage, is located in the mountains of Bamyan,

[Learn More](#)



Application scenarios of energy storage battery products



Afghanistan solar photovoltaic energy storage

Homeowners across Afghanistan are set to benefit from the country's first pay-as-you-go (PAYG) home solar systems combined with energy storage batteries, being delivered in a pioneering ...

[Learn More](#)

Afghanistan's PV Energy Storage Requirements: Lighting Up the Future

But here's the twist: Afghanistan gets over 300 sunny days a year. If Afghanistan were a smartphone, sunlight would be its forever-full battery. The catch? Turning that solar potential into ...

[Learn More](#)



Sunpal Energy Supports Afghan Customer With ...

Sunpal installed a 500kW solar PV and 461kWh high-voltage lithium battery



energy storage system in Afghanistan, ensuring reliable and sustainable power supply.

[Learn More](#)

POWERING AFGHANISTAN'S FUTURE ENERGY STORAGE ...

GETON CONTAINERS specializes in large-scale photovoltaic power plants, custom folding solar containers, solar inverters, and energy storage systems for commercial, industrial, and utility ...

[Learn More](#)



Kabul Photovoltaic Energy Storage System: Powering Afghanistan's

As Afghanistan seeks reliable energy solutions, the Kabul Photovoltaic Energy Storage System emerges as a game-changer. This article explores how solar-storage integration addresses energy deficits ...

[Learn More](#)

Contact Us

For catalog requests, pricing, or partnerships, please visit:
<https://www.v4venison.co.za>

