

Samoa lithium-ion battery technology



Samoa lithium-ion battery technology



Samoa Observer , The highly charged geopolitics of lithium

Lithium battery production relies on a global supply chain composed of mineral extraction and production, mineral refinement and processing, and battery-cell production and battery-pack ...

[Learn More](#)

Samoa BMS Lithium Battery: Powering the Future of Energy ...

Samoa BMS lithium battery technology isn't just about storing energy - it's about enabling cleaner grids, resilient industries, and energy independence. As battery prices drop 15% annually (BloombergNEF ...



[Learn More](#)



SAMOA LITHIUM BATTERY ENERGY STORAGE PRODUCTION

Lithium battery energy storage product overview Currently, the application scope of LIBs is expanding to large-scale power sources and energy storage devices, such as electric vehicles and renewable ...

[Learn More](#)

SAMOA FIRST COUNTRY IN THE

PACIFIC TO INSTALL BATTERY ...

Lithium-ion batteries were. . A battery energy storage system (BESS), battery storage power station, battery energy grid storage (BEGS) or battery grid storage is a type of technology that uses a group ...

[Learn More](#)



Lithium Battery Energy Storage in Samoa Powering a Sustainable ...

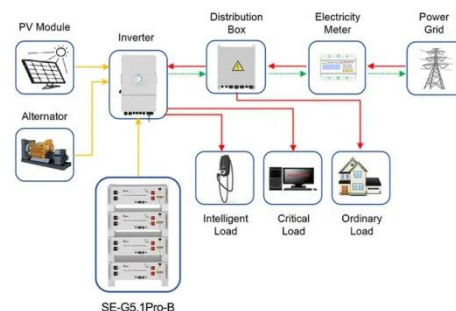
Lithium battery storage positions Samoa to achieve its 2030 renewable targets while ensuring grid reliability. As technology advances and costs decline, these systems will become the backbone of ...

[Learn More](#)

Samoa Lithium-ion Market (2025-2031) , Trends & Outlook

6Wresearch actively monitors the Samoa Lithium-ion Market and publishes its comprehensive annual report, highlighting emerging trends, growth drivers, revenue analysis, and forecast outlook.

[Learn More](#)



Application scenarios of energy storage battery products

Huawei Samoa lithium battery energy storage project

The electro-chemical battery storage project uses lithium-ion battery storage



technology. The project was announced in 2020 and will be commissioned in 2024. Saudi Arabia's Red Sea Project is ...

[Learn More](#)

Samoa's Leap Toward Sustainable Energy: Building a Future with ...

The Coconut Conundrum: Sun, Surf, and Energy Needs Let's face it--relying on diesel generators in 2025 is like using a typewriter to send emails. Samoa's new lithium-ion battery storage ...



[Learn More](#)



SAMOA OPENS NEW SOURCE OF RENEWABLE ELECTRICITY

Despite the continuing use of lithium-ion batteries in billions of personal devices in the world, the energy sector now accounts for over 90% of annual lithium-ion battery demand. This is up from 50% for the ...

[Learn More](#)

Research exchange enhances battery technology development in Samoa

Previous Next 2 November 2023The Battery Storage and Grid Integration

Program (BSGIP) hosted two research scientists from Samoa recently to help build capacity and strengthen the island nation's ...

[Learn More](#)



Contact Us

For catalog requests, pricing, or partnerships, please visit:
<https://www.v4venison.co.za>

