

Rooftop solar PV panel size



Overview

The size of a solar panel is mainly determined by the number of cells, encapsulation method, and power rating. Currently, the most common monocrystalline modules on the market measure between 1. Standard Residential Panels Optimize Space and Handling: The industry-standard 60-cell panel dimensions (65" × 39" × 1. 5") aren't arbitrary - they represent the optimal balance between power output, installation ease, and roof space utilization. At 40-46 pounds, they can be safely handled by. Example: 5kW solar system is comprised of 50 100-watt solar panels. Alright, your roof square footage is 1000 sq ft. Can you put a 5kW solar system on your roof?

For that, you will need to know what size is a typical 100-watt solar panel, right?

To bridge that gap of very useful knowledge needed. In the design and installation of photovoltaic systems, calculating rooftop solar panel dimensions is a critical factor that determines the success of a project. MNRE's Best-Practices Guide for rooftop programmes notes that a complete PV array including panels and mounting should weigh no more than about 30 kg per square meter of roof area.

Rooftop solar PV panel size



standard solar photovoltaic panel sizes explained

The standard residential solar photovoltaic panel size you'll see most often is based on a 60-cell configuration, typically measuring about 67 inches long by 40 inches wide. This size offers the best balance ...

[Learn More](#)

Photovoltaic Roof Panel Specifications and Dimensions: A Complete ...

Understanding photovoltaic (PV) roof panel specifications and dimensions is critical for optimizing energy output, cost efficiency, and structural compatibility. This guide breaks down key technical parameters, industry ...



[Learn More](#)

Solar panel size and weight: everything you need to know

To determine whether a PV installation will fit on your roof or property, you can calculate your total solar panel dimensions based on the energy-generating capacity of your system.

[Learn More](#)



How Many Solar Panels Will Fit on My Roof (Easy Guide)

Learn how a "How Many Solar Panels Will Fit on My Roof" calculator works. Simple examples, clear steps, and no confusing math. Perfect for beginners.

[Learn More](#)



Perfect Solar Panel Sizes for Your Home (Expert Sizing Guide)

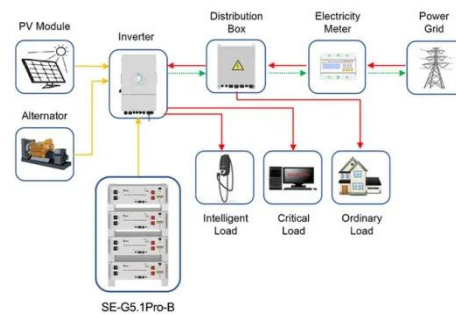
Most residential solar panels measure between 65 to 75 inches long and 39 to 41 inches wide, delivering power outputs ranging from 250 to 400 watts per panel.

[Learn More](#)

Rooftop Solar Panel Size and Layout Guide

This article, based on practical case studies and calculation formulas, analyzes solar panel dimensions, spacing, and rooftop assessment methods to help distributors and users select the most ...

[Learn More](#)



Application scenarios of energy storage battery products

Solar Panel Size & Dimensions Guide 2025 , Complete Specs

Standard Residential Panels Optimize Space and Handling: The industry-standard 60-cell panel dimensions (65?



× 39? × 1.5?) aren't arbitrary - they represent the optimal balance between power output, ...

[Learn More](#)

Solar Panel Size Guide , Best Panel Size for Your Roof

Learn how to choose the ideal solar panel size for your home. Get expert tips, standard dimensions, and a size chart to simplify your solar decisions.

[Learn More](#)



Standard Solar Panel Sizes And Wattages (100W-500W Dimensions)

Alright, let's have a look at the length and width of typical solar panels, with wattage (very important), and complete with area or square footage (useful when calculating how many solar panels you can fit on a roof):

[Learn More](#)

Contact Us

For catalog requests, pricing, or partnerships, please visit:
<https://www.v4venison.co.za>

