

Price of 200kWh photovoltaic energy storage cabinet for tunnels



Overview

A 200kWh cabinet can power 20 American homes for a day or keep a mid-sized factory humming through peak rate hours. But here's the kicker - prices swing wildly between \$28,000 to \$65,000 depending on factors we'll unpack faster than a lithium-ion thermal runaway [1] [9]. Let's cut to the chase - when businesses ask about 200kWh energy storage cabinet prices, they're really asking: "Can this metal box full of batteries actually save me money?"

" The short answer?

Absolutely. The long answer?

Well, that's why we're here. With a dual-door maintenance system, multiple systems can be operated concurrently on-site, minimizing space requirements. It integrates advanced components for maximum performance and safety, including: EMS (Energy Management System): The intelligent EMS monitors and optimizes energy flow, balancing supply. Can be configured with 30-50kW optical storage inverters, can be connected in parallel with multiple battery cabinets. Ecient Balancing BMS, Single String Design + Ecient Balancing Technology. High-peormance optical storage all-in-one. Wooden box packaging enables high-strength stacking, simple operation and high cost-effectiveness Extra large and extra long sizes can be easily assembled Can be loaded and unloaded from the front Gold internal and external size ratio Can be transported flat or in kits to the assembly site. Sunway. In terms of scalability, Commercial & Industrial Storage BESS System 200kWh, 220kWh, 245kWh, 266kWh, 315kWh Battery adopts a modular rack design, supporting flexible expansion of single-system capacity from 200kWh to 315kWh and enabling parallel operation of multiple energy storage systems to.

Price of 200kWh photovoltaic energy storage cabinet for tunnels



"Pricey" vs. "Pricy"

Etymonline confirms: "1932, from price + -y ". Pricey has always been more popular than pricy. Pricey is getting even more popular, while pricy fades in comparison. So the bottom line is: both spellings are ...

[Learn More](#)

200kwh Outdoor Integrated Energy Storage Cabinet

Discover TANFON's Outdoor Integrated Energy Storage Systema cutting-edge solution that seamlessly combines lithiumiron phosphate batteries. advanced Battery ManagementSystem (BMS), Power ...



[Learn More](#)



Commercial & Industrial Storage BESS System 200kWh, 220kWh, ...

This article introduces GSL ENERGY's dual-cabinet GSL-BESS50kVA high-voltage hybrid integrated energy storage system, which covers a capacity range of 200kWh to 315kWh and features ...

[Learn More](#)

grammaticality

Your best form is "How much is it?" if you want a natural sound. For "What is the price," it is better to ask "What is the price of ABC" or just "What is the price?" Asking "What job are you?" is ...

[Learn More](#)



200kwh Lithium Battery Storage

This 200kwh battery storage provides a robust, scalable solution for reducing energy costs and supporting renewable energy integration. Whether for peak shaving, backup power, or grid ...

[Learn More](#)

What is the reason or proper usage of "price" and "pricing"?

The wikipedia article on pricing covers several of the factors involved in pricing strategies and setting. Alternately, "pricing" can be a verb meaning to apply or determine a price", as in "I'm using the label ...

[Learn More](#)



Solar Energy Storage Battery Cabinet

This energy storage systems are most widely used in industry and commerce. Among large industrial users, they can



perform peak to valley regulation to alleviate the burden on transformers during peak ...

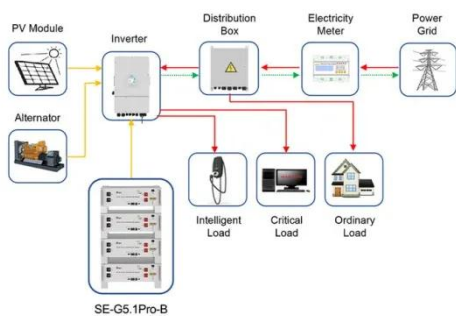
[Learn More](#)

What Determines the 200kWh Energy Storage Cabinet Price? A 2025 ...

A 200kWh cabinet can power 20 American homes for a day or keep a mid-sized factory humming through peak rate hours. But here's the kicker - prices swing wildly between \$28,000 to \$65,000 ...



[Learn More](#)



Application scenarios of energy storage battery products

Why do we use the term "hike" to describe an increase in price, value ...

1904 Topeka Capital 10 June 4 City Center kept the price of ice cream sodas at five cents until the State Sunday School convention struck town, and then the scale was hiked to ten cents. We ...

[Learn More](#)

"price on" and "price for"

1) Befor the distributor can quote you a price on an equivalent pump, a sales

engineer has to identify all the specifications of the existing unit, such as shaft, mounting, ports and displacement, ...

[Learn More](#)



Latest Photovoltaic Energy Storage Cabinet Price Guide (2025 Update)

As of February 2025, prices now dance between ¥9,000 for residential setups and ¥266,000+ for industrial beasts. But here's the kicker: The real story lies in the 43% price drop since 2023, driven by ...

[Learn More](#)

Which is correct, "sales price" or "sale price"?

I have a list of items with their details such as item name, quantity, purchase price, sales price/sale price, etc. What is more correct to write in the heading, sales price or sale price?

[Learn More](#)



Dawnice 200kWh Battery Storage Systems

The outdoor cabinet-type photovoltaic storage system, boasting a power rating of 100kW/200kWh, seamlessly

amalgamates energy storage batteries, PCS, power distribution, ...

[Learn More](#)



New Energy Storage Charging Cabinet Price List: 2024 Cost Guide

GLASHAUS POWER - Wondering how much a modern energy storage charging cabinet costs? This comprehensive guide breaks down pricing factors, industry benchmarks, and emerging trends for ...

[Learn More](#)



200kWh Energy Storage Cabinet / 200kWh PV Ener Cube / ...

Standardized cabinets for zoned security and isolation of energy storage systems. Monitoring and early warning design, package level immersion re protection technology to ensure a safe and controllable ...

[Learn More](#)

Is there a word or phrase for the price for all units combined?

0 Unit price * quantity equals what? For example if widgets have a \$10 unit price, and a customer buys 3, then what

is the \$30 amount called? Total doesn't work since there could be other ...

[Learn More](#)



Complete Hybrid Solar System 200kwh 232kwh Lithium Battery ...

Our photovoltaic energy storage systems represent clean energy solutions that help reduce greenhouse gas emissions and lower carbon footprints. Furthermore, we actively engage in environmental and ...

[Learn More](#)

Contact Us

For catalog requests, pricing, or partnerships, please visit:
<https://www.v4venison.co.za>

