

Price of 12 square meter photovoltaic panel



Overview

As of 2026, the average cost of residential solar panels in the U. This typically translates to about \$2. 50 per watt of installed capacity (more on price per watt below). Solar panels can lower your electricity bill by 75% or more, but the upfront investment is significant. Most homeowners spend between \$12,600 and \$33,376 to install a complete residential solar system in 2026, with the national average at \$19,873 before incentives. Your actual cost depends on your. Nowadays, solar energy adoption is accelerating, and understanding the solar panel cost per square meter is quite essential for anyone thinking about solar energy installation. The following table shows the prices. Note: Costs are expressed in constant 2024 US\$ per watt. Global estimates are used before 2010; European market benchmarks thereafter due to limited data availability.

Price of 12 square meter photovoltaic panel



What is the price per square meter of solar panels? , NenPower

The price per square meter of solar panels varies widely based on several factors, including the type of solar panel, market conditions, location, and installation costs.

[Learn More](#)

Solar Panel Cost Breakdown

Using these numbers, an average-sized 8-kilowatt residential solar system would cost between \$21,900 - \$26,400. Regional pricing differences, the system size, local installation costs, ...

[Learn More](#)



Solar Panel Cost Per Square Meter: Breaking Down Prices and ...

As the monocrystalline panel is compact and has higher efficiency, the price of the solar panel per square meter is much higher than that of polycrystalline panels. Similarly, the thin-film ...

[Learn More](#)

How Much Do Solar Panels Cost? (2026)

Residential solar panel prices vary from state to state. Your estimated installation costs and potential savings depend on the local electricity rates, your household electricity usage, and the ...

[Learn More](#)



How Much Do Solar Panels Cost? - Forbes Home

Solar panel costs can be affected by many factors, including system size, type of panel and home electricity needs. We break down these and other factors in our solar panel cost guide.

[Learn More](#)

Solar panels per m² costs [2026] - theCostAdvisor

The following table shows the prices per solar panel, per Wp and per kWh, the number of square meters that these panels occupy, and including installation, materials.

[Learn More](#)



Solar Panel Costs in 2026 : It's Usually Worth It

Solar panels cost about \$21,816 on average when purchased with cash or \$26,004 when purchased with a loan for a 7.2 kW system. While that price tag



seems steep, the electricity bill savings you get from ...

[Learn More](#)

How Much Do Solar Panels Cost? - Forbes Home

Using these numbers, an average-sized 8-kilowatt residential solar system would cost between \$21,900 - \$26,400. Regional pricing differences, ...

[Learn More](#)



Solar photovoltaic panel prices

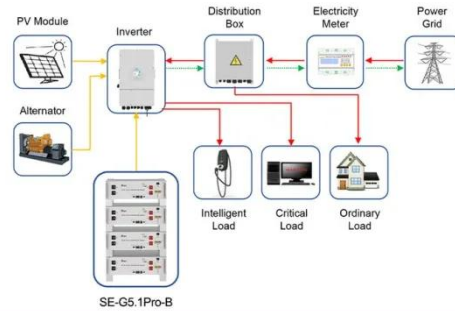
Solar photovoltaic module prices refer to the cost of the solar panel itself, and do not include installation or other system components. Prices are compiled from three sources: Nemet ...

[Learn More](#)

How Much Do Solar Panels Cost in 2026?

The average 6-kW residential solar panel installation is \$17,852 before incentives. Learn about cost factors, financing options, tax breaks and more.

[Learn More](#)



Application scenarios of energy storage battery products



2026 Solar Panel Costs: Ultimate Guide to Pricing and Savings

There are a number of factors influencing solar panel pricing in 2026 --our industry analysts break down whether prices are going up or down. In previous years, homeowners could claim a federal tax credit ...

[Learn More](#)

Contact Us

For catalog requests, pricing, or partnerships, please visit:
<https://www.v4venison.co.za>

