

Photovoltaic panel eaves



Photovoltaic panel eaves



Solar Panel Roof Setbacks: Rules, 33% and Edge Clearances

Learn solar panel roof setbacks - typical ridge and edge distances, the 33% coverage rule, and how to plan compliant arrays. Clear, practical guidance.

[Learn More](#)

Passive Solar Eaves Calculator

Interactive online passive solar eaves Calculator. Works worldwide by latitude or address. Work out the right window solar overhang required.

[Learn More](#)



TAX FREE 

Product Model
HJ-ESS-215A(100KW/215KWh)
HJ-ESS-115A(50KW 115KWh)

Dimensions
1600*1280*2200mm
1600*1200*2000mm

Rated Battery Capacity
215KWH/115KWH

Battery Cooling Method
Air Cooled/Liquid Cooled

ENERGY STORAGE SYSTEM



Catching Rays: 6 Phenomenal Photovoltaic Façades

It is composed of five multifaceted façades, each clad in a dynamic checkboard of glass and photovoltaic panels. The panels are installed at different inclinations, depending on the orientation of the façade, ...

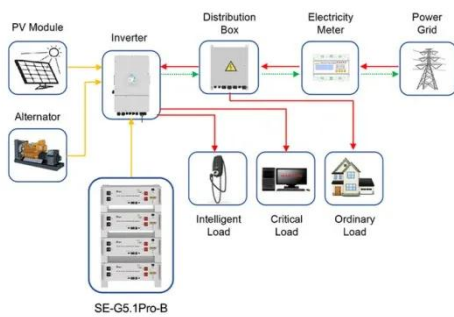
[Learn More](#)

Installing Solar Lights Under Eaves

for Garden Illumination

Placing solar lights under eaves shields them from direct exposure to rain, snow, and intense sunlight, potentially extending their lifespan. The partial shelter reduces wear on both the ...

[Learn More](#)



Application scenarios of energy storage battery products

Can you install solar panels on an overhang?

Overhangs, also known as roof eaves or extensions, are horizontal projections that extend beyond the edge of a roof. They serve various purposes, including providing shade and protection from rain and ...

[Learn More](#)

Overhang / Solar Control , Green Passive Solar Magazine

Different elements of passive solar design work together to warm a building in the winter and keep it cool in the summer. This diagram shows how an overhang can be constructed to allow the winter sun in, ...

[Learn More](#)



Residential Solar Panel Requirements

NFPA 1 provides guidance on how solar photovoltaic panels must be installed on

the roofs of homes.

[Learn More](#)



How to install solar lights on the eaves , NenPower

To successfully install solar lights on the eaves of a building, several steps must be followed to ensure optimal performance and longevity. 1. Assess the location of installation, 2. ...

[Learn More](#)



Photovoltaic Panel Eaves: The Smart Home Upgrade You Haven't ...

Let's face it - photovoltaic panel eaves sound like something straight out of a sci-fi novel. But what if I told you this sleek solar solution could slash your energy bills and make your neighbors green with ...

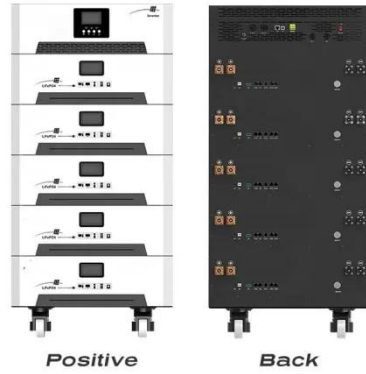
[Learn More](#)



Roof Anchor System for Solar Panels

A guide for choosing, installing, and flashing roof anchoring systems for solar panels.

[Learn More](#)



Contact Us

For catalog requests, pricing, or partnerships, please visit:
<https://www.v4venison.co.za>

