

# Photovoltaic inverters are not connected to the Internet



## Overview

---

This article provides comprehensive troubleshooting tips to assist you in resolving WiFi connectivity issues with your solar inverter. A wireless communication option for SolarEdge inverters to connect to the SolarEdge Monitoring Portal. You can reconnect an inverter to a local Wi-Fi network with the mySolarEdge application. Before configuring the Wi-Fi, we recommend that you verify the inverter is working and responsive by. Solar inverters are essential components of solar systems, converting DC power generated by solar panels into AC power compatible with the electricity grid. Most inverters are connected to the internet either via WiFi (your home internet) or via a cellular modem. When you change your internet provider or get a new router, your SolarEdge app will stop working.

## Photovoltaic inverters are not connected to the Internet

---



### How to Fix Wifi Connected No Internet on Solar Inverter

Many modern solar inverter systems come equipped with WiFi connectivity, allowing users to monitor system performance remotely through dedicated apps or web portals. However, it is ...

[Learn More](#)

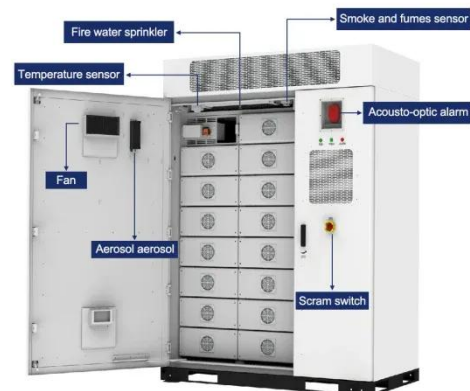
---

### Configuring Inverter Communication

Follow the app's instructions to connect to the inverter's WiFi (if you are not already connected). The status of your Wi-Fi connection should be 'disconnected'.

[Learn More](#)

---



### Wi-Fi Troubleshooting Guide - mySolarEdge

Before configuring the Wi-Fi, we recommend that you verify the inverter is working and responsive by checking for illuminated LEDs on the inverter. If the inverter is not responsive, contact your ...

[Learn More](#)

---



## Troubleshooting SolarEdge Inverter

## Connection Issues After Changing

When you change your internet provider or get a new router, your SolarEdge app will stop working. This is because your inverter is no longer connected to the internet.

[Learn More](#)



## What to do if your system is not connected to the internet

Is your solar array working properly? Issues with internet connectivity are common and generally fairly simple to resolve. It is possible however that the lack of connection could be indicative of, and even ...

[Learn More](#)

## HOW TO RECONNECT YOUR INVERTER TO WIFI

Learn how to reconnect your inverter to WiFi, as communication faults can occur when the WiFi drops out, affecting your GreenBank Solar app.

[Learn More](#)



## Tips for Troubleshooting Solar Inverter WiFi Connectivity Issues

Verify that your solar inverter supports WiFi connectivity and is configured correctly. Consult the manufacturer's

documentation to ensure compatibility with your WiFi network. Check if the inverter ...

[Learn More](#)



---

## How to Connect Solar Inverter to WiFi: A Step-by-Step Guide for ...

Learn how to connect solar inverter to WiFi with our simple, step-by-step guide. Perfect for eco-friendly tech enthusiasts keen on renewable energy.

[Learn More](#)



## RESTORING YOUR INVERTER'S INTERNET CONNECTION:

Locate your Netgear WiFi extender, which is plugged into an outlet, likely near your solar inverter. With the Netgear WiFi extender plugged in, use a pin to depress the factory reset button and hold until the ...

[Learn More](#)

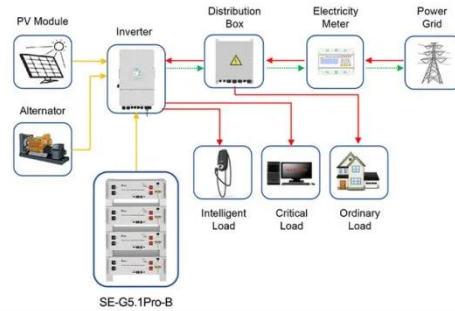
---

## How to reconnect your SolarEdge or Enphase inverter to the internet

Most inverters are connected to the internet either via WiFi (your home internet) or via a cellular modem (kind of

like a cell phone attached to your inverter). Here are some guides on how to get the most ...

[Learn More](#)



Application scenarios of energy storage battery products

## Contact Us

For catalog requests, pricing, or partnerships, please visit:  
<https://www.v4venison.co.za>

