

# Off-network type network cabinet for field operations



## Overview

---

Proline Voice/Data cabinets are used for housing either A/V or server equipment in wet/hot environments. With advanced environmental barrier control and durable construction, our climate-controlled cabinets provide protection against heat, dust, water, and environmental. Network cabinets are enclosed systems designed to securely store, organize, and protect networking and IT equipment such as switches, routers, patch panels, servers, power strips, and cable management components. Crafted from premium materials with meticulous attention to detail, they feature a cold-rolled, galvanized steel frame and a tempered-glass. In the realm of data management and network organization, Network Cabinets stand at the forefront, providing essential storage solutions tailored for a range of environments, from office spaces to large server rooms. Network cabinets support large, modular network switches by providing additional space for cable management and.

## Off-network type network cabinet for field operations

---



### Premium Server Racks, Network Cabinets & Data Center Solutions

Discover high-quality server racks, network cabinets, and data center enclosures designed to optimize your IT infrastructure. AZE offers floor-standing and wall-mount options in sizes ranging from 6U to ...

[Learn More](#)

---

### Telecom and Network Equipment Cabinets and Racks

Contact us today to find the perfect cabinet or rack for your application. Need your equipment racked and stacked, aka integrated? Let us know, and we can make it a turnkey solution, making the infield ...

[Learn More](#)

---

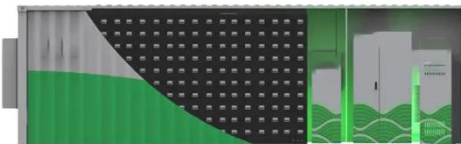


### Wall Mount Network Cabinets for Equipment Storage , Fixed

Whether you're setting up a server room in a commercial building, a network closet in an office, or a home network station, these cabinets will protect your equipment while offering easy access for ...

[Learn More](#)

---



## Networking & Computing

Explore our extensive catalog to discover the perfect Network Cabinet that fits your operational requirements and enhances your workspace efficiency. With our variety of styles and functionalities, ...

[Learn More](#)



## INTELLINET Network Cabinets, Racks, Swing Out Racks, Open ...

Intellinet Network Solutions' network cabinets and open frame racks present a versatile and all-encompassing solution for your network installation needs. Crafted from premium materials with ...

[Learn More](#)

## Network Racks and Cabinets

Depending on the features of the cabinet you select, there can be perforated front and rear doors that allow for additional airflow. Graybar has a great selection of network racks and cabinets to fulfill the ...

[Learn More](#)



## Network Cabinet

Depending on deployment requirements, the cabinet can be configured for indoor data rooms, outdoor network sites, or edge computing environments, with



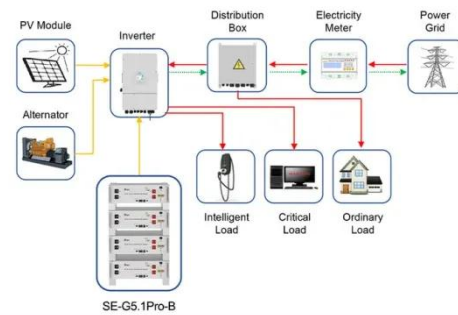
optional thermal control and environmental ...

[Learn More](#)

## Telecom Cabinets , Telecommunication Enclosures , Telecom ...

With integrated North American manufacturing facilities and in-house engineering expertise, we can quickly customize our cabinets and enclosures to precisely meet the needs of your specific network ...

[Learn More](#)



Application scenarios of energy storage battery products



## Networking and IDF Cabinets , nVent DATA-SOLUTIONS

Network Cabinet Caster Kit provides mobility to Networking PC cabinets.

[Learn More](#)

## Network Cabinets for Secure IT Equipment Enclosures , RSP Supply

RSP Supply offers a reliable selection of network cabinets designed to support

secure, organized, and efficient IT infrastructure. Our cabinets are built to accommodate standard rack-mounted equipment ...

[Learn More](#)



---

## Contact Us

---

For catalog requests, pricing, or partnerships, please visit:  
<https://www.v4venison.co.za>

