

Off grid solar power inverter in Congo



Overview

These systems are designed to provide a reliable power supply to remote areas, bridging the gap where traditional electrical grids are absent. The initial deployment features a 60kW/230kWh hybrid system that combines solar energy with diesel power to ensure continuous electricity. Our company, CongoSun is proud to be the exclusive distributor of Sunsynk solar products in the Democratic Republic of Congo (DR Congo). The system is built around three 15kW Victron Quattro inverters and eight BSLBATT B-LFP48-200E lithium batteries, each with a capacity of 10 kWh. Mini-grids are small-scale electricity generation and distribution systems that operate independently from the. Our cost effective systems help off-grid customers power a wide range of appliances. We distribute the Jikokoa Xtra Clean.

Off grid solar power inverter in Congo



Altech Group

Our cost effective systems help off-grid customers power a wide range of appliances. Our world-class solar lamps are used in homes, schools, businesses and hospitals across DRC. We distribute the ...

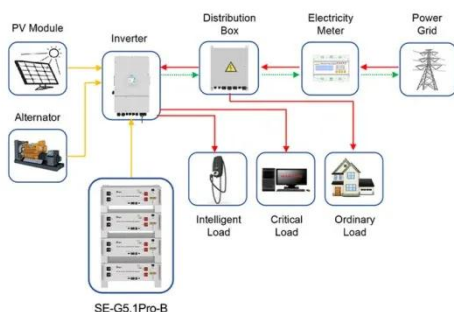
[Learn More](#)

Fournisseur d'onduleurs Sunsynk et assistance en RDC

Our company, CongoSun is proud to be the exclusive distributor of Sunsynk solar products in the Democratic Republic of Congo (DR Congo). Committed to revolutionizing the energy landscape, we ...



[Learn More](#)



Application scenarios of energy storage battery products

MICROINVERTOR ON GRID CONGO REPUBLIC

We, at SolarFeeds, have brought together nearly all the popular solar inverter wholesalers, who offer a large number of inverters at much cheaper pricing compared to the retail market.

[Learn More](#)

off grid inverter DC 96V 6000W

solar power inverter Congo

6KW power solar panel inverter dc to ac sine wave inverter with charger, 12 years experience in the inverter industry, can design as per customer needs, and OEM/ODM production.

[Learn More](#)



Sustainable Energy Revolution in DR Congo

In the quest to tackle energy challenges in the Democratic Republic of Congo (DRC), JNTech is spearheading the adoption of hybrid solar-diesel microgrid systems.

[Learn More](#)

B-LFP48-200E With Victron Inverter Off-Grid Solar Energy Project For

For these communities, power is more than convenience--it is the foundation for clean water access, nighttime safety, education, and local development. To address this need, BSLBATT has ...

[Learn More](#)



Industrial solar inverters DR Congo

AIMS Power inverters are available up to 8000 watts throughout The Democratic Republic of Congo in 12, 24 & 48 volt models for off-grid, mobile & emergency backup power applications.

[Learn More](#)

Congo solar case study

Discover how MOTOMA's 61.44kWh lithium battery system, 33kW hybrid inverte, and 555W solar panels provide reliable, off-grid and backup power in Congo. Ideal for residential, ...

[Learn More](#)

Solar Solutions in the Democratic Republic of Congo

In 2017, Nuru successfully launched Congo's first solar-powered ...

[Learn More](#)

DEMOCRATIC REPUBLIC OF CONGO POWER INVERTERS AND ...

The project consists of a 56 kWp grid-tied solar photovoltaic (PV) system with an integrated 80 kWh battery storage solution, designed for self-consumption

and backup power during outages and load ...

[Learn More](#)



Solar Solutions in the Democratic Republic of Congo

In 2017, Nuru successfully launched Congo's first solar-powered mini-grid. It also has a 1.3MW solar hybrid site in Goma, which is currently "the largest off-grid mini-grid in sub-Saharan Africa."

[Learn More](#)

Contact Us

For catalog requests, pricing, or partnerships, please visit:
<https://www.v4venison.co.za>

