

Nicaragua battery storage cabin price



Nicaragua battery storage cabin price



Battery Storage Costs in Nicaragua: Trends, Challenges, and

This article explores the current costs, market trends, and applications of battery storage systems in Nicaragua, supported by real-world data and actionable insights for businesses and policymakers.

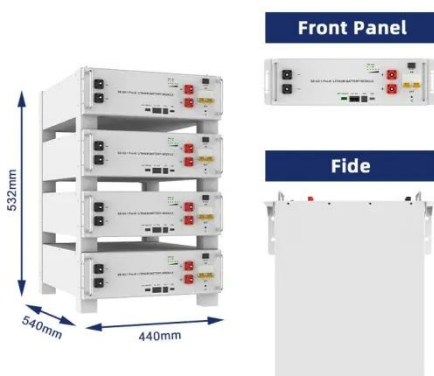
[Learn More](#)

Nicaragua's Lithium Battery Prices: Energy Storage Costs in 2025

Instead of upfront purchases, several Nicaraguan cooperatives now offer subscription-based energy storage. For \$15-20/month per kWh, users get maintained systems with guaranteed 80% capacity ...



[Learn More](#)



How much does a battery energy storage system cost in Nicaragua

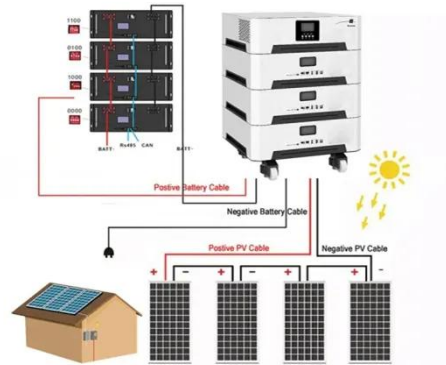
This article explores the current costs, market trends, and applications of battery storage systems in Nicaragua, supported by real-world data and actionable insights for businesses and policymakers.

[Learn More](#)

Nicaragua Energy Storage Battery Prices Trends Solutions Market

This article explores current battery price trends, key applications, and actionable strategies for businesses and households to optimize costs while adopting sustainable energy systems.

[Learn More](#)



Understanding Energy Storage Container Costs in Nicaragua: Key ...

Nicaragua's growing renewable energy sector creates strong demand for efficient energy storage solutions. This article explores containerized energy storage costs, market trends, and practical ...

[Learn More](#)



Nicaragua Energy Storage Battery Price Inquiry: Trends, Tips, and ...

Why Nicaragua's Battery Market Is Heating Up (and How to Navigate It) Ever wondered why Nicaraguan solar farms are suddenly buzzing like a beehive in mango season? The answer lies ...

[Learn More](#)



Nicaragua Telecom Battery Energy Storage Container Prices

That's where lithium batteries come in - they're sort of the backbone of modern energy storage. Current prices for



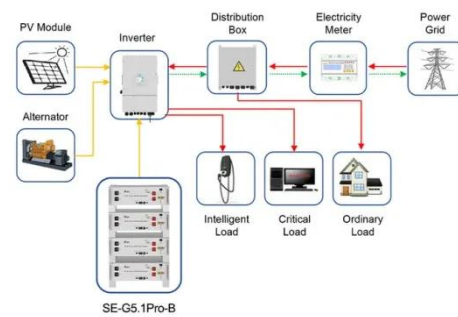
commercial lithium systems in Nicaragua range from \$280 to \$420 per kWh, depending on ...

[Learn More](#)

Nicaragua Solar Energy and Battery Storage Market (2025-2031)

Our analysts track relevant industries related to the Nicaragua Solar Energy and Battery Storage Market, allowing our clients with actionable intelligence and reliable forecasts tailored to emerging regional ...

[Learn More](#)



Application scenarios of energy storage battery products



Nicaragua battery energy storage cabin price

This article explores current battery price trends, key applications, and actionable strategies for businesses and households to optimize costs while adopting sustainable energy systems.

[Learn More](#)

Contact Us

For catalog requests, pricing, or partnerships, please visit:
<https://www.v4venison.co.za>

