

# Motor circuit breaker factory in Sri-Lanka



## Overview

---

Find and discover Circuit Breaker manufacturers and suppliers for all products in Sri Lanka, featuring details on their shipment activities, trade volumes, trading partners, and more. Electro-serv Lanka continues the 35+ year as the industry leading pioneer provider of engineering products and solutions to the Sri Lanka industry. Subscribe to global trade data intelligence to. Bianco offers exceptional client support for power distribution, protection systems, cable management solutions, and industrial automation products through our skilled and experienced team. Volza's Solution gives. Rated Voltage: 250V. (Special Notes: No Warranty, No Exchange or Return. Please check the description correctly. Suitable for: Compressor Single Phase Air Compressor and Any Single-Phase Motors.

## Motor circuit breaker factory in Sri-Lanka



### Circuit Breaker Parts Suppliers from Sri Lanka

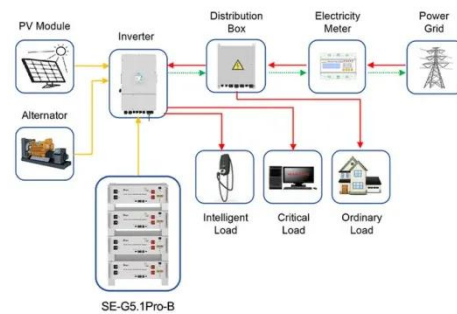
Access 9 verified Circuit Breaker Parts Suppliers in Sri Lanka with shipment-level prices, volumes, routes, buyer networks, and verified decision-maker contacts -- all backed by bills-of-lading.

[Learn More](#)

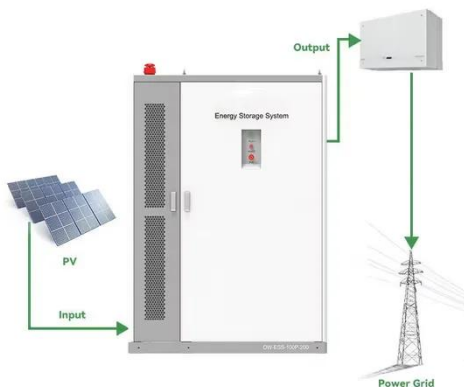
### Circuit Breakers In Sri Lanka

We are the most advanced Circuit Breakers Suppliers from Sri Lanka. As each Product is tested there is no chance of getting faulty or damaged industrial items and hence we focus on delivering you the ...

[Learn More](#)



Application scenarios of energy storage battery products



### Circuit Breaker for Sale in Sri Lanka

Buy or sell new or used Circuit Breaker online on ikman, the largest marketplace in Sri Lanka!.

[Learn More](#)

## ELECTRICAL PRODUCTS

We endeavour to provide the widest range of electrical switch-gear at a competitive price without compromising on quality. We are one of the largest importer and distributor of Electrical Switchgear & ...

[Learn More](#)



## Switchgear, Controlgear & Accessories Archives

Rotax Limited has spearheaded the exponential growth of the country's Engineering industry, diversifying into many spheres, and has become the industrial name within the electrical engineering ...

[Learn More](#)

## Bianco , Best Electrical Engineering Company in Sri Lanka

The quality of electrical items supplied by your company have been outstanding, reliable and meeting our technical standard without exception. We would also like to commend your commitment to timely ...

[Learn More](#)



## Electro Serv Lanka PVT Ltd

Electro-serv Lanka continues the 35+

year as the industry leading pioneer provider of engineering products and solutions to the Sri Lanka industry.

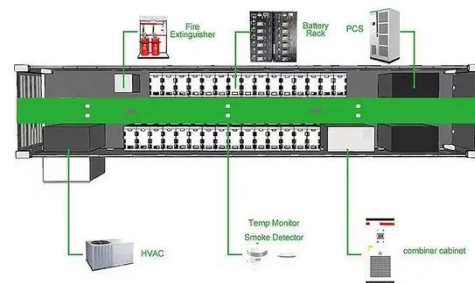
[Learn More](#)



### City Electrical Company sri lanka

experience Electric Company pioneers in distributing electrical safety equipment as well as manufacturing panel boards within Sri Lanka, quality service to our customers

[Learn More](#)



### Circuit Breaker Manufacturers & Suppliers in Sri Lanka , Trademo

Find and discover Circuit Breaker manufacturers and suppliers for all products in Sri Lanka, featuring details on their shipment activities, trade volumes, trading partners, and more.

[Learn More](#)



## Contact Us

For catalog requests, pricing, or partnerships, please visit:  
<https://www.v4venison.co.za>

