

Make a battery pack



Make a battery pack



Build Your Own Battery Pack: An Informative DIY Guide

Build Your Own Battery Pack, it may sound overwhelming, but with the right knowledge and tools, it can be a lifesaver for hobbyists. This guide will walk you through the process, from ...

[Learn More](#)

How to Make a 12v 18650 Battery Pack from Scratch

Making your own custom 12v 18650 lithium-ion battery pack may sound intimidating. But I'm going to walk you through the entire process, step-by-step. Whether you want to create a ...

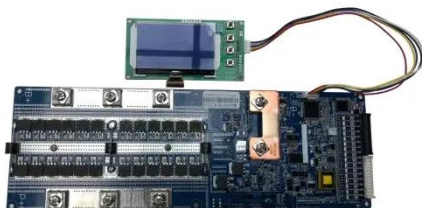


[Learn More](#)

How to Build Your Own Battery Pack

Learn how to build your own battery pack with this comprehensive step-by-step guide. Perfect for DIY enthusiasts and tech enthusiasts alike.

[Learn More](#)

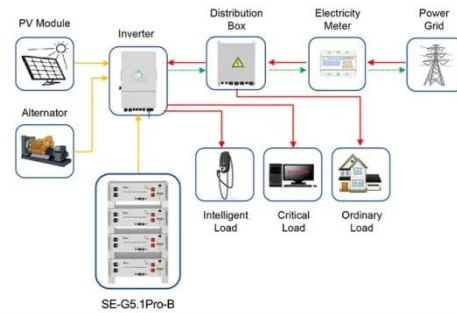


DIY Battery Pack Kit: A Comprehensive Guide to Building

Your

Are you tired of constantly buying and replacing batteries for your electronic devices? Why not take matters into your own hands and build your own DIY battery pack kit? Not only will it ...

[Learn More](#)



Application scenarios of energy storage battery products



How to Build A Battery Pack From 18650 Cells

For these reasons, there are a lot of people wondering how to build a battery pack from 18650 cells. In this article, we will teach you everything you need to know about how to build a DIY ...

[Learn More](#)

DIY Professional 18650 Battery Pack

DIY Professional 18650 Battery Pack: The world is shifting away from fossil fuels and will one day become fully electric. In the present world, Lithium-ion is the most promising chemistry of all batteries.

[Learn More](#)



How to Make a Lithium-Ion Battery Pack

Learn how to assemble lithium-ion battery pack. Explore essential steps,



safety precautions, and necessary components.

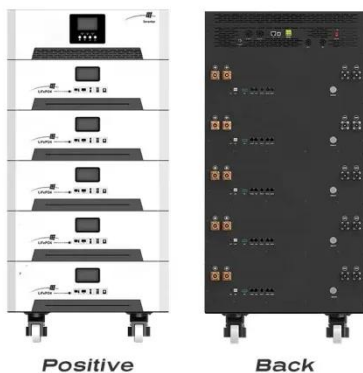
[Learn More](#)

How to Make Your Own 18650 Battery Pack: A Complete DIY Guide

This guide explains how to build a custom 18650 lithium battery pack, covering essential steps such as material preparation, cell testing, spot welding, series/parallel configuration, BMS wiring, insulation, ...



[Learn More](#)



How to Make a 12V Battery Pack Using 18650 Lithium-ion Cells

In this comprehensive guide, we walk you through the entire process, from selecting the right batteries and components to assembling and testing your battery pack. Building a 12V battery

[Learn More](#)

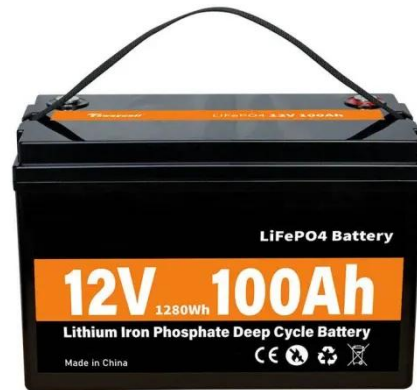
How to Make a 12v 18650 Battery Pack From Scratch: 6 Simple Steps

...

In this step-by-step guide, I'll show you

exactly how to make a durable and high-capacity 12v 18650 battery pack for all kinds of electronics projects.

[Learn More](#)



Contact Us

For catalog requests, pricing, or partnerships, please visit:
<https://www.v4venison.co.za>

