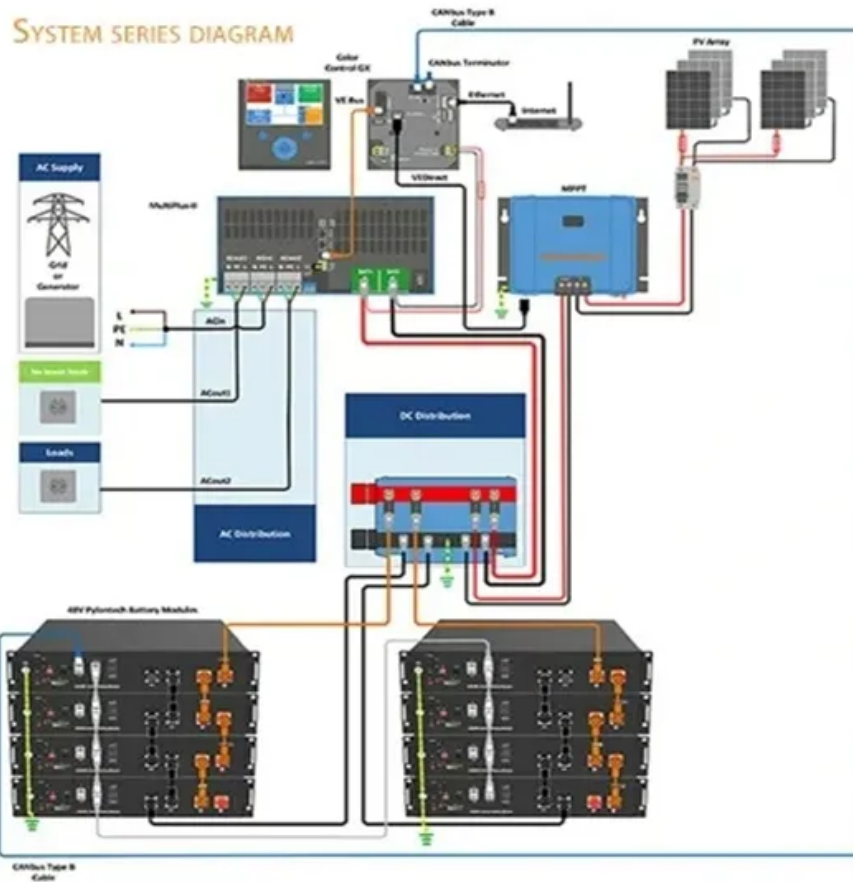


# Main manufacturers and products of domestic energy storage cabinet



## Overview

---

The leading manufacturers of household energy storage cabinets include Tesla, LG Chem, Sonnen, and Panasonic, each offering innovative solutions, quality products, strong market presence, and diverse technology advancements. For instance, Tesla is known for its Powerwall product, which integrates. In an era marked by a growing emphasis on sustainability and renewable energy, the role of home energy storage manufacturers has become increasingly significant. The global energy storage market is booming, hitting a whopping \$33 billion annually [1], and homeowners are jumping on this bandwagon faster than you can say “blackout prevention. But with 40+ manufacturers competing globally, how do you identify the best solutions?

"The home storage market will grow 30% annually through 2030, driven by time-of-use tariffs and VPP. As global renewable energy capacity surges past 4,500 GW, a critical question emerges: Which energy storage cabinet brands can truly deliver reliability in this transformative era?

With 37% of commercial solar projects now requiring storage integration, selecting the right solution isn't just. This article will mainly explore the top 10 energy storage manufacturers in the world including BYD, Tesla, Fluence, LG energy solution, CATL, SAFT, Invinity Energy Systems, Wartsila, NHOA energy, CSIQ. When you want power protection for a data center, production.

## Main manufacturers and products of domestic energy storage cabinet

---



### Top Home Energy Storage Product Companies in 2024: Rankings & Key

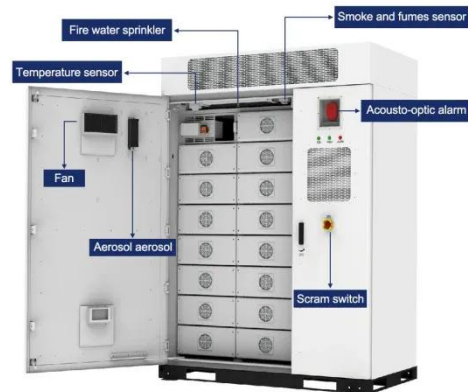
With global electricity prices surging 15% year-over-year and solar adoption rates hitting record highs, home energy storage systems have become the cornerstone of modern energy independence.

[Learn More](#)

### What brands do energy storage cabinet manufacturers have?

Understanding the distinct advantages of each brand is essential for consumers and manufacturers alike when making informed decisions about energy storage solutions.

[Learn More](#)



### Energy Storage Equipment, Energy storage solutions, Lithium battery

Huijue Group offers industrial and commercial energy storage, PV-BESS -EV Charging, Off-grid / On-grid Microgrid, telecom site solutions, and home solar energy storage, ensuring ...

[Learn More](#)



## Top 10 Home Energy Storage Manufacturers in the World 2024

From cutting-edge technologies to seamless integration with existing systems, These ten home energy storage manufacturers are driving the transition towards cleaner, more efficient energy ...

[Learn More](#)



## Who's Leading the Energy Storage Cabinet Manufacturing Race in 2025?

But here's the kicker - this isn't your grandfather's manufacturing race. We're talking about companies that make battery cabinets smart enough to predict grid fluctuations and tough enough to withstand desert ...

[Learn More](#)

## Top 5 Energy Storage Cabinet Brands , Huijue Group E-Site

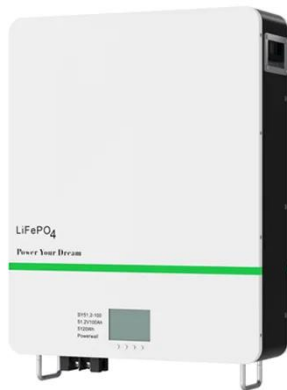
As global renewable energy capacity surges past 4,500 GW, a critical question emerges: Which energy storage cabinet brands can truly deliver reliability in this transformative era?

[Learn More](#)



## What are the main manufacturers of energy storage cabinets

This article will mainly explore the top 10 energy storage manufacturers in the



world including BYD, Tesla, Fluence, LG energy solution, CATL, SAFT, Invinity Energy Systems, Wartsila, NHOA energy, CSIQ.

[Learn More](#)

---

## Top 10 Home Energy Storage Manufacturers in the World 2024

What Makes a Top-Tier Home Energy Storage Brand? Before we dive into our ranking list, let's break down the "secret sauce" that separates the champions from the wannabes:

[Learn More](#)



## Top Energy Storage Cabinet Manufacturers , Industrial & Residential

Need reliable energy storage cabinet manufacturers? Discover certified suppliers offering custom solutions for industrial, commercial and residential energy storage.

[Learn More](#)

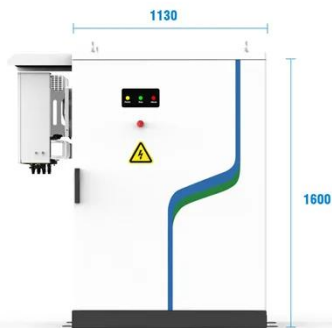
---

## What are the manufacturers of household energy storage cabinets?

This essay will delve into the primary manufacturers of household energy storage cabinets, exploring their unique

offerings, market strategies, and technological advancements.

[Learn More](#)



-  PV / DG Application
-  APP Intelligent Control
-  Multi-Unit Parallel Expansion
-  98.8% Max. Efficiency

## Home Energy Storage System Brand Ranking List 2025: Who's ...

What Makes a Top-Tier Home Energy Storage Brand? Before we dive into our ranking list, let's break down the "secret sauce" that separates the champions from the wannabes:

[Learn More](#)

## Contact Us

For catalog requests, pricing, or partnerships, please visit:  
<https://www.v4venison.co.za>

