

Long-life outdoor cabinet for microgrid energy storage in fire stations



Long-life outdoor cabinet for microgrid energy storage in fire station

Commercial and Industrial Energy Storage Cabinet BESS , Anern

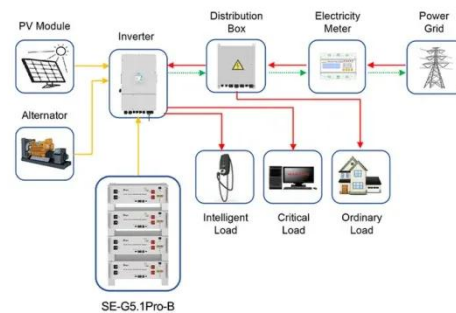


Wide Applicability: Compatible with standalone energy storage stations, commercial/industrial user-side systems, microgrids, and renewable energy integration. Smart Connectivity: Supports remote ...

[Learn More](#)

Outdoor Cabinet Energy Storage System (Air-Cooled) - Modular ...

Available in both 100kWh and 215kWh capacities, this modular system integrates power modules, batteries, cooling, fire protection, and environment monitoring in a compact outdoor cabinet.



Application scenarios of energy storage battery products

[Learn More](#)



100KWh Outdoor Cabinet Series Energy Storage System

Ideal for solar microgrids, peak shaving, PV self-consumption, and emergency backup power, its modular design and 20kW-50kW scalable capacity support up to 75kW photovoltaic input. Featuring ...

[Learn More](#)

Energy Storage Outdoor Cabinets:

Key Applications and Industry Trends

Outdoor energy storage cabinets have evolved from simple battery boxes to intelligent power hubs. Whether you're securing telecom networks or optimizing solar ROI, choosing the right cabinet ...

[Learn More](#)



Outdoor Battery Storage Cabinet , TOPBAND LiFePO4 Energy Storage

...

Empower your off-grid projects and grid-support applications with a reliable outdoor battery storage cabinet from TOPBAND. Engineered for harsh climates and demanding workloads, our outdoor

...

[Learn More](#)

Outdoor Energy Storage System Cabinets , EPC Energy

From outdoor energy storage system cabinets to integrated cloud-based controls, EPC Energy has you covered. We want to help you create a sustainable future.

[Learn More](#)

- LiFePO₄ Battery,safety*
- Wide temperature: -20~55°C*
- Modular design, easy to expand*
- The heating function is optional*
- Intelligent BMS*
- Cycle Life:≥ 6000*
- Warranty:10 years*



Outdoor Cabinet Energy Storage System

The Outdoor Cabinet Energy Storage



System is a fully integrated solution that combines safe battery storage, intelligent power management, and weatherproof protection for solar and telecom applications.

[Learn More](#)

Outdoor Energy Storage Cabinet: 105KW/215KWh All-in-One Solution

With NextG Power's Outdoor Energy Storage Cabinet, scalability and adaptability are at your fingertips. Whether starting with a single unit or planning a multi-cabinet network, our solution grows with your ...



[Learn More](#)



Outdoor Cabinet , SWA Energy LiFePO4 Battery Storage Systems

SWA ENERGY outdoor cabinets are engineered for harsh environments and long-term outdoor operation. With IP54/IP55 protection, anti-corrosion design, and intelligent temperature control, they ...

[Learn More](#)

Outdoor Energy Storage Cabinet System Manufacturer & Supplier

Wenergy provides fully integrated, outdoor-rated ESS cabinets using

LiFePO4 technology with modular design and robust safety architecture. Our solutions are engineered for long-term operation, scalable ...

[Learn More](#)



Contact Us

For catalog requests, pricing, or partnerships, please visit:
<https://www.v4venison.co.za>

