

Lithium battery energy storage advantages and disadvantages



Lithium battery energy storage advantages and disadvantages

ESS



Advantages and Disadvantages of Lithium-ion Batteries - en

There are several specific advantages to lithium-ion batteries. The most important advantages are their high cell voltage, high energy density and no memory effect.

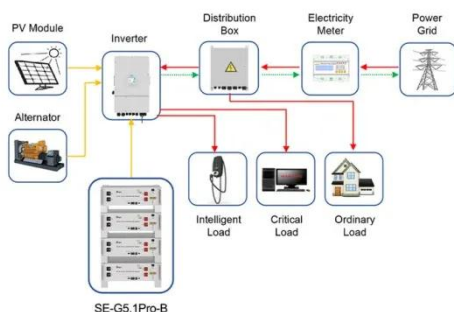
[Learn More](#)

Lithium-ion battery guide: Advantages & disadvantages

Lithium-ion batteries are the most powerful energy storage devices currently available on the market. Their high energy density makes it possible to achieve superior performance even with a ...



[Learn More](#)



Application scenarios of energy storage battery products

Lithium-ion Battery: Advantages and ...

A list and discussions of the benefits and advantages, as well as the limitations and drawbacks or disadvantages of lithium-ion battery.

[Learn More](#)

Pros and Cons of Lithium-Ion

Battery: A Comprehensive Guide

Table of content Lithium-ion batteries have become a cornerstone of modern energy storage solutions, powering everything from smartphones to electric vehicles. Such lithium ion ...

[Learn More](#)



Lithium-ion battery guide: Advantages & disadvantages

Introduction to Lithium Ion Batteries
Lithium-ion batteries stand at the forefront of modern energy storage, shouldering a global market value of ...

[Learn More](#)

The Complete Breakdown: Pros and Cons of Lithium Ion Batteries

Introduction to Lithium Ion Batteries
Lithium-ion batteries stand at the forefront of modern energy storage, shouldering a global market value of over \$30 billion as of 2019.

[Learn More](#)



The pros and cons of batteries for energy storage

However, the disadvantages of using lithium-ion batteries for energy storage are multiple and quite well documented. The performance of lithium-ion cells degrades over

time, limiting their storage ...

[Learn More](#)



Energy storage lithium battery advantages and ...

A Battery Energy Storage System (BESS) is a technology that stores electrical energy in batteries, allowing it to be used when needed. It captures excess energy, typically from renewable sources like ...

[Learn More](#)



The Advantages and Disadvantages of Lithium Batteries

Lithium batteries have revolutionized the energy storage industry, offering a range of benefits over traditional lead acid batteries.

[Learn More](#)

A comprehensive guide to the pros and cons of lithium ion ...

Lithium ion batteries (LIBs) are secondary batteries that use lithium metal or lithium alloy as the anode

material and a non-aqueous electrolyte solution. During the charge and discharge ...

[Learn More](#)



Advantages and disadvantages of lithium-ion batteries

The secret to increasing the use of sustainable energy is efficient energy storage. Designing a battery system that encompasses specific volume requirements offers a prolonged life cycle and exhibits ...

[Learn More](#)

Contact Us

For catalog requests, pricing, or partnerships, please visit:
<https://www.v4venison.co.za>

