

# Liquid Cooling Intelligent Energy Storage System



## Overview

---

The SUNESS liquid-cooled ESS solution combines intelligent management, high integration, and advanced safety features to help businesses lower operational costs, improve energy efficiency, and accelerate the transition toward a greener, smarter, and more sustainable energy ecosystem. GSL Energy is a leading provider of green energy solutions, specializing in high-performance battery storage systems. Our liquid cooling storage solutions, including GSL-BESS80K261kWh, GSL-BESS418kWh, and 372kWh systems, can expand up to 5MWh, catering to microgrids, power plants, industrial parks.

Early Liquid Cooling (~3.72MWh): Introducing liquid cold plates allowed for tighter cell packing by more efficiently pulling heat away. The 5MWh+ Era (Today): Aisle-less, “pack-to-container” designs create a solid, optimized block of. GSL ENERGY's All-in-One Liquid-Cooled Energy Storage Systems offer advanced thermal management and compact integration for commercial and industrial applications. Featuring high integration, precision cooling, and intelligent control, it delivers exceptional reliability, safety, and operational efficiency. Compared to traditional air-cooled systems, liquid cooling offers.

## Liquid Cooling Intelligent Energy Storage System

---



### Liquid cooling technology empowers commercial and industrial energy

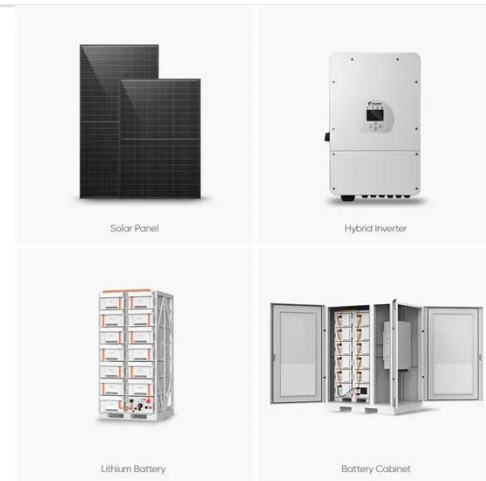
The SUNESS containerized liquid-cooled lithium battery storage system is engineered for large-scale commercial and industrial applications. Featuring high integration, precision cooling, and ...

[Learn More](#)

### Liquid Cooling Energy Storage System , GSL Energy

Discover GSL Energy's advanced liquid cooling energy storage systems for commercial and industrial applications. Scalable to 5MWh, certified by UL, CE,CEI and IEC.

[Learn More](#)



### Liquid Cooling Containerized C& I Storage Reshapes Renewable Energy

With technological advancements accelerating at an unprecedented pace, these sophisticated systems are redefining performance parameters for energy density, lifespan, and safety ...

[Learn More](#)

**InnoChill: Leading The Future Of**

## Energy Storage Liquid Cooling ...

Discover how InnoChill is transforming energy storage liquid cooling with cutting-edge, eco-friendly solutions. Our high-efficiency cooling technology enhances performance in data centers, ...

[Learn More](#)



**Outdoor Cabinet BESS**  
50 kWh/500 kWh Battery Storage System  
Industrial and Commercial Energy Storage

- All In One**  
Integrating battery packs
- High-capacity**  
50-500kWh
- Degree of Protection**  
IP54
- Operating Temperature Range**  
-20-60°C (Derating above 50 °C)
- Intelligent Integration**  
integrated photovoltaic storage cabinet
- Rated AC Power**  
50-100kW
- Altitude**  
3000m(>3000m derating)



## 261kWh Liquid Cooling Energy Storage System , Wenergy

As a liquid cooling energy storage system, it ensures superior thermal management, extended battery lifespan, and consistent performance even under demanding conditions.

[Learn More](#)

## All-in-One Liquid Cooling Energy Storage Systems , GSL BESS ...

GSL ENERGY's liquid-cooled BESS solutions have been widely deployed across the globe, from solar parks and microgrids to smart factories and campuses. Our systems enable energy efficiency, ...

[Learn More](#)



## Why Do Large-Scale Energy Storage Plants Need Liquid Cooling BESS Systems

Liquid cooling BESS systems excel at direct, efficient heat transfer. The



specific heat capacity of liquid is over four times higher than air, allowing it to absorb and transfer more heat per unit volume.

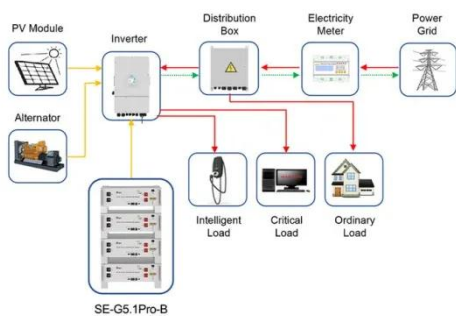
[Learn More](#)

### TRENE 1MWh Liquid Cooling ESS: A System-Level Approach to ...

Discover how SolaX TRENE 1MWh liquid-cooled energy storage delivers high efficiency, reliability, and predictable returns for European C& I users.



[Learn More](#)



Application scenarios of energy storage battery products

### Liquid-Cooled Energy Storage Container: A Reliable Solution for the

As a specialized manufacturer of energy storage containers, TLS offers a mature and reliable solution: the liquid-cooled energy storage container system, designed to meet growing ...

[Learn More](#)

### The 5MWh+ BESS Era: Why Liquid Cooling is the Backbone of High ...

Explore why high-density liquid cooling BESS is essential for 5MWh+ BESS containers, cutting costs and boosting

efficiency in modern energy storage.

[Learn More](#)



---

## Contact Us

For catalog requests, pricing, or partnerships, please visit:  
<https://www.v4venison.co.za>

