

Lesotho solar power generation and energy storage



Lesotho solar power generation and energy storage



Harnessing Solar Power: Energy Storage Solutions for Lesotho's

Summary: Discover how advanced energy storage systems are revolutionizing Lesotho's solar power infrastructure. This article explores the synergy between photovoltaic stations and battery storage, ...

[Learn More](#)

Lesotho photovoltaic off-grid energy storage advantages

Energy storage is one of the most promising options in the management of future power grids, as it can support the discharge periods for stand-alone applications such as solar



[Learn More](#)

Lesotho charging facility energy storage

The battery for energy storage, DC charging piles, and PV comprise its three main components. These three parts form a microgrid, using photovoltaic power generation, storing the ...

[Learn More](#)

Lesotho Lithium Battery Energy



Storage: Powering a Sustainable Future

We specialize in large-scale solar power generation, solar energy projects, industrial and commercial wind-solar hybrid systems, photovoltaic projects, photovoltaic products, solar industry solutions, ...

[Learn More](#)



Lesotho Solar Power Station: A Major Step Toward Energy ...

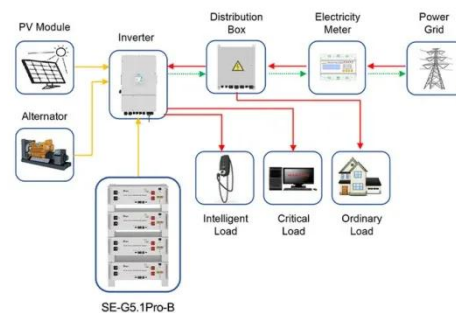
With about 70% of its electricity currently imported, mainly from South Africa, Lesotho aims to reduce this dependency. This solar plant is expected to provide a sustainable energy source, lower costs, ...

[Learn More](#)

SOLAR PV MINIGRIDS FOR ENHANCING ELECTRICITY ...

Improving access to modern energy services in rural areas in Lesotho is a top priority. Solar mini-grids offer a reliable, clean, and cost-effective solution for delivering electricity to ...

[Learn More](#)



Application scenarios of energy storage battery products

National University of Lesotho Sizing of a Battery Energy Storage

ds and evaluates the current and projected energy generation from the Ha Ramarothole solar PV plant. Using

various energy storage technologies, with a particular emphasis on electrochemical storage ...

[Learn More](#)



LESOTHO TYPES OF ENERGY STORAGE TECHNOLOGIES

Cost and Performance Assessment provided installed costs for six energy storage technologies: lithium-ion (Li-ion) batteries, lead-acid batteries, vanadium redox flow batteries, pumped storage hydro, ...

[Learn More](#)



ENERGY STORAGE IN SHAPING LESOTHO'S RENEWABLE

Tower type solar thermal power generation and energy storage As a thermal energy generating power station, CSP has more in common with such as coal, gas, or geothermal.

[Learn More](#)

Contact Us

For catalog requests, pricing, or partnerships, please visit:
<https://www.v4venison.co.za>

