

Kathmandu industrial frequency off-grid solar energy storage cabinet grid inverter



Overview

By integrating photovoltaic inverters, energy storage batteries, multi-energy complementary technologies and intelligent management systems, this series of products can build a stable and efficient micro-energy system in off-grid/grid-connected mode, suitable for. By integrating photovoltaic inverters, energy storage batteries, multi-energy complementary technologies and intelligent management systems, this series of products can build a stable and efficient micro-energy system in off-grid/grid-connected mode, suitable for. The ESS-GRID Cabinet series are outdoor battery cabinets for small-scale commercial and industrial energy storage, with four different capacity options based on different cell compositions, 200kWh, 215kWh, 225kWh, 241kWh, etc. They can be widely used in farms, animal husbandry, hotels, schools. Featuring lithium-ion batteries, integrated thermal management, and smart BMS technology, these cabinets are perfect for grid-tied, off-grid, and microgrid applications. Explore reliable, and IEC-compliant energy storage systems designed for renewable integration, peak shaving, and backup power. This article will introduce in detail how to design an energy storage cabinet device, and focus on how to integrate key components such as PCS (power conversion system), EMS (energy management system), lithium battery, BMS (battery management system), STS (static transfer switch), PCC (electrical. Liquid cooled outdoor 215KWH 100KW lithium battery energy storage system cabinet is an energy storage device based on lithium-ion batteries, which uses lithium-ion batteries as energy storage components inside. It has the characteristics of high energy density, high charging and discharging power. North America leads with 40% market share, driven by streamlined permitting processes and tax incentives that reduce total project costs by 15-25%. BSLBATT Commercial solar battery.

Kathmandu industrial frequency off-grid solar energy storage cabinet



Industrial Commercial Outdoor ESS Cabinet 100KWh 200KWh All-In ...

60kWh/200kWh outdoor integrated cabinet for industrial and commercial storage. Suitable for various industrial and commercial application scenarios such as industrial parks and commercial complexes, ...

[Learn More](#)

KATHMANDU ENERGY STORAGE SOLUTIONS

We specialize in electric power containers, photovoltaic containers, mobile power stations, outdoor site energy systems, backup power, clean energy, photovoltaic projects, solar products, solar industry ...

[Learn More](#)



Commercial and Industrial Energy Storage Cabinet BESS , Anern

Wide Applicability: Compatible with standalone energy storage stations, commercial/industrial user-side systems, microgrids, and renewable energy integration. Smart Connectivity: Supports remote ...

[Learn More](#)

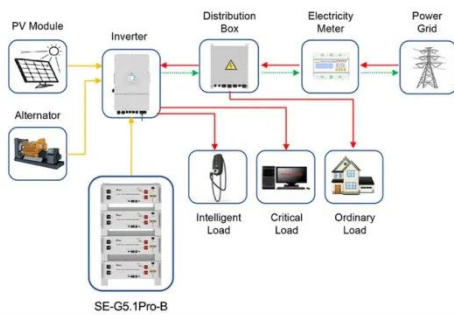


KATHMANDU ENERGY STORAGE CABINET BATTERY COMPANY ...

The solar farm is under development by a consortium comprising of Egypt, Asunim Solar from the United Arab Emirates (UAE) and I-kWh Company, an energy consultancy firm also based in the UAE.



[Learn More](#)



Application scenarios of energy storage battery products

200kWh 215kWh 225kWh 245kWh C& I ESS Battery System , BSLBATT

It supports grid-tied, off-grid, and hybrid solar systems, can be used with diesel generators. This commercial energy storage system comes in multiple capacity options: 200kWh / 215kWh / 225kWh / ...

[Learn More](#)

KATHMANDU INDUSTRIAL AND COMMERCIAL ENERGY ...

We have extensive manufacturing experience covering services such as battery enclosures, grid energy storage systems, server cabinets and other sheet metal enclosure OEM services..



[Learn More](#)

Industrial Frequency Off-Grid Energy Storage: Powering the Future

That's the reality for many industries -



and it's exactly why industrial frequency off-grid energy storage systems are becoming as essential as coffee in a control room.

[Learn More](#)

All-in-One Energy Storage Cabinet & BESS Cabinets , Modular, ...

Featuring lithium-ion batteries, integrated thermal management, and smart BMS technology, these cabinets are perfect for grid-tied, off-grid, and microgrid applications. Explore reliable, and IEC ...

[Learn More](#)



Kathmandu Outdoor Energy Storage Cabinet Wholesale Reliable ...

This guide explores wholesale opportunities, technical requirements, and emerging trends for energy storage solutions tailored to Nepal's unique climate and energy landscape.

[Learn More](#)

ESS-GRID Cabinet Brochure EN-250106

The ESS-GRID Cabinet series are outdoor battery cabinets for small-scale

commercial and industrial energy storage, with four different capacity options based on different cell compositions, 200kWh, ...

[Learn More](#)



Contact Us

For catalog requests, pricing, or partnerships, please visit:
<https://www.v4venison.co.za>

