

# Is the photovoltaic power generation installed with a waterproof bracket



## Overview

---

It is installed and fixed through photovoltaic modules, special water conduits and stainless steel waterproof fasteners, and is fastened and sealed in an interlocking manner to achieve the effect of generating electricity while completely shielding from wind and rain. The solar panel mounting bracket is responsible for holding the panels in place and securing them to the surface they are installed on. Supported by strong policies from national and local governments, the distributed photovoltaic power generation system has developed rapidly, becoming one of the key. BIPV waterproof bracket, waterproof and energy saving is no longer empty talk. BIPV waterproof bracket solution uses a unique bracket waterproof diversion design to cover conventional photovoltaic modules or roof building materials. This article will analyze the definition, classification, installation precautions and market prospects of photovoltaic brackets, hoping to bring you a more comprehensive understanding of. The photovoltaic bracket is a bracket designed for placing, installing and fixing solar panels in a solar photovoltaic power generation system. Common materials include aluminum alloy, carbon steel and stainless steel. As an important part of the PV power.

## Is the photovoltaic power generation installed with a waterproof br

---



### How to Ensure Proper Waterproofing in Distributed Photovoltaic

Therefore, exploring the waterproofing of photovoltaic roofs is especially important. This can be achieved by understanding roof design principles and incorporating appropriate waterproofing treatments ...

[Learn More](#)

---

### Classification And Design Of Fixed Photovoltaic Mounts

The flat roof bracket will not damage the waterproof layer of the roof surface and is characterized by a flexible structure, easy installation, and high reliability.

[Learn More](#)



### Solar Panel Mounting Bracket: Types and Features

These brackets are typically waterproof and can withstand heavy rainfall and other weather conditions. In conclusion, choosing the right type of solar panel mounting bracket is essential for a successful ...

[Learn More](#)

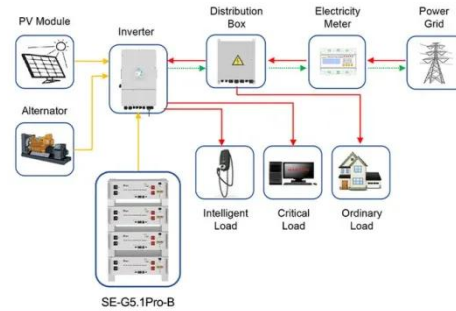
---



## Different types of roof photovoltaic bracket installation methods

The photovoltaic bracket is a bracket designed for placing, installing and fixing solar panels in a solar photovoltaic power generation system. Common materials include aluminum alloy, ...

[Learn More](#)



Application scenarios of energy storage battery products



## BIPV waterproof bracket, waterproof and energy saving is no longer

The bracket is directly installed on the roof without the need for additional building load-bearing layers; the photovoltaic panels are clamped on the bracket; the waterproof layer covers the entire roof and is ...

[Learn More](#)

## There are several types of photovoltaic waterproof brackets

Boyue Photovoltaic Technology Co., Ltd is located in Hebei Province, China, the factory covers an area of 18,000 square meters, and 150 workers, 66 kilometers away from Beijing Airport and

[Learn More](#)



## Photovoltaic Panel Brackets: Essential Guide for Solar Installations

From material selection to installation



precision, photovoltaic panel brackets play a crucial role in solar system performance. By understanding technical requirements and market trends, you can make ...

[Learn More](#)

---

### **Photovoltaic Waterproof Brackets: The Unsung Heroes of Solar ...**

Let's face it - most people get starry-eyed about solar panels themselves but treat photovoltaic waterproof brackets like the awkward cousin at a family reunion.

[Learn More](#)

CE UN38.3 MSDS



---

### **Photovoltaic waterproof bracket knowledge**

The solar photovoltaic bracket is a special bracket designed for placing, installing and fixing solar panels in the solar photovoltaic power generation system. The general materials are ...

[Learn More](#)



---

### **Photovoltaic Bracket Introduction, Installation Precautions And Market**

This article will analyze the definition, classification, installation precautions and market prospects of photovoltaic

brackets, hoping to bring you a more comprehensive understanding of photovoltaic ...

[Learn More](#)



---

## Contact Us

---

For catalog requests, pricing, or partnerships, please visit:  
<https://www.v4venison.co.za>

