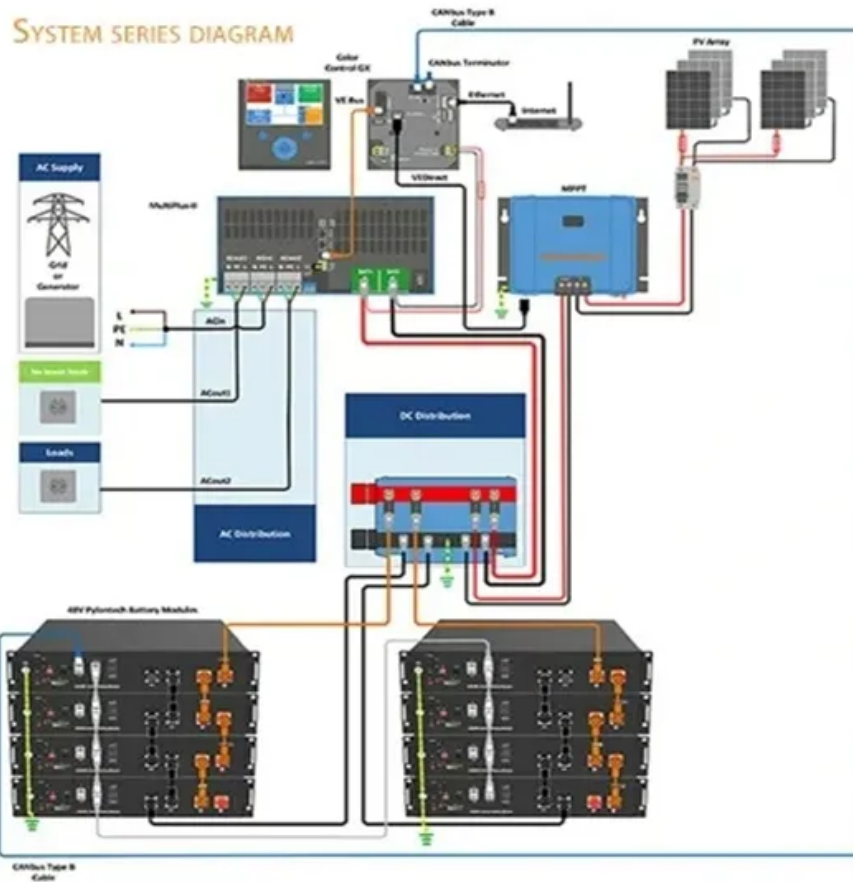


Is the 220v output of the inverter the same as the household 220v



Overview

This can be confusing but the bottom line is they are referring to the exact same thing. 120V is the AC voltage on a single hot wire in your home with respect to neutral (or ground). Today, the official household supply is 120 volts. and Canada: 120V is the standard for everyday outlets (lamps, TVs, microwaves, etc. It's not just about plugging things in; it's about understanding how power works and what your appliances actually need to. A 220 volt inverter is a device that converts DC power from batteries into 220V AC power. How Do They Work?

. Why do some electricians say “220v” and some say “240v” when referencing the same thing?

I've always wondered this and it came up last week when I was having electrical work done.

Is the 220v output of the inverter the same as the household 220v



Why do some electricians say "220v" and some say "240v" when

Early on in my life I measured it and got something like 243V, so I've always called it 240V on account of that, and just uneasily assumed everyone saying 220 or 230 was still talking about the same thing lol.

[Learn More](#)

Understanding Inverter Input and Output: What is the Relationship

The relationship between inverter input and output itself is very closely intertwined, here are some of the relationships between inverter input and output. The amount of input source supplied to the inverter ...

[Learn More](#)



110V vs. 120V and 220V vs. 240V: What's the Real Difference?

Bottom Line: In the U.S., 110V and 120V mean the same thing, just as 220V and 240V do. Globally, however, most countries use 230V for everything. Always match your appliance to the ...

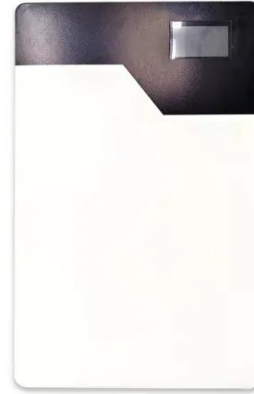
[Learn More](#)

220 Volt Inverter: The Ultimate

Guide to Choosing the Right One

A 220 volt inverter is a device that converts DC power from batteries into 220V AC power. This is particularly useful in areas where traditional power sources are unavailable.

[Learn More](#)



Best Inverter Generators With 220V Outlet for Reliable Power Supply

Below is a summary of top inverter generators equipped with 220V or 240V outlets, highlighting key features to assist you in finding the perfect model for your needs.

[Learn More](#)

Voltage Differences: 110V, 120V, 220V, 240V

You'll often hear voltages in your home referred to as 110V, 115V, or 120V. This can be confusing but the bottom line is they are referring to the exact same thing. 120V is the AC voltage on a single hot wire ...

[Learn More](#)



120V vs 220V

Both 120V and 220V are single phase supply systems. However, the 120V is delivered using a two-wire connection, while the 220V requires three wires. This

connection type is common in earlier ...

[Learn More](#)



When having 230V what is the best choice, 220V or 240V?

Much of Europe ran on 220V, whilst the UK ran on 240V. As mentioned above, the EU standardised on 230V, but set the tolerance range to cover both voltages, plus a fair margin.

[Learn More](#)



110V vs 220V: What Homeowners Need to Know About ...

Compare 110V vs 220V power for appliances, installation, cost, and safety. Learn which voltage is best for your needs, including diesel generators.

[Learn More](#)



12v to 220v Home Power Inverter Introduction

The home power inverter directly take 12V DC power supply from a DC power source (such as: storage batteries, etc.), with a special clamp connected to the

inverter into AC 220V, to supply
electrical ...

[Learn More](#)



Contact Us

For catalog requests, pricing, or partnerships, please visit:
<https://www.v4venison.co.za>

