

Insufficient power generation from solar panels



Overview

There are numerous possible causes of failure of the solar panels. Panels can also fail owing to electrical issues such as poor wiring or inappropriate. Normal degradation is 0.8% annually: Quality solar panels naturally lose efficiency over time, so a system producing 10,000 kWh in year one should generate around 9,950 kWh in year two – this gradual decline is expected and warranty-covered. Inverters are the weakest link in solar systems: With insufficient output from solar panels could result from various internal or external factors.

Insufficient power generation from solar panels



What to do When Solar Panels Are Not Producing Enough Power

What to Do When Your Solar Panels Are Not Producing Enough Power. A 5 Step Guide. One of the most common complaints we hear from homeowners is that their electricity bills are still ...

[Learn More](#)

Why Are My Solar Panels Producing Less? Complete Guide (2025)

Discover why your solar panels are underperforming and how to fix it. Expert troubleshooting guide with step-by-step solutions, safety tips, and cost estimates.



[Learn More](#)

Why Are My Solar Panels Not Producing Enough Power?

There are numerous possible causes of failure of the solar panels. Physical damage is the most typical cause, which can occur as a result of extreme weather, faulty installation, or ...



[Learn More](#)

Dealing with Solar Panels That Don't Produce Enough Power: Why?

In conclusion, several factors can lead to solar panels not producing enough power, from environmental build-up and incorrect installation to system malfunctions and natural degradation.

[Learn More](#)



Why Is My Solar Panel System Not Producing Enough ...

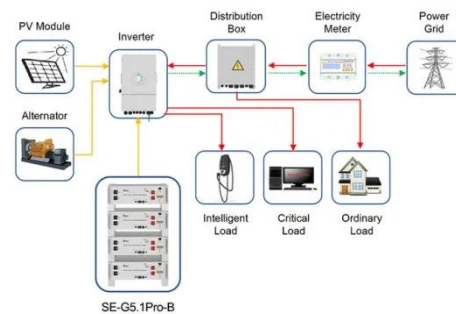
Discover why your solar panel system may be underperforming. Troubleshoot and improve energy output with insights on common issues and potential upgrades.

[Learn More](#)

Why Is My Solar Output Low? 8 Common Causes & Fixes

In this guide, we'll break down the eight most common reasons for low solar power generation. You'll learn what each issue looks like in real life and what to do next to restore your system's performance.

[Learn More](#)



Application scenarios of energy storage battery products

Why Your Solar Panels Aren't Generating Enough Power: Common

In summary, several factors can affect the power generation of your solar panels, including shading, dirt,

orientation, weather, age, inverter issues, and system design flaws.

[Learn More](#)



Why Is My Solar Not Generating Power?

This guide explains the most common reasons why your solar panels may not be generating power, and how to troubleshoot both rooftop systems and portable solar generators used ...

[Learn More](#)



What to do if solar panels don't have enough electricity

When photovoltaic (PV) panels fail to produce sufficient power, several strategies can aid in remedying the situation. Energy storage systems, such as batteries, allow homeowners to harness ...

[Learn More](#)



Why Your Solar Panels Don't Produce Enough Energy

It could be due to a fault with the panels not harvesting solar energy as they should. Below, we'll explain the common

reasons your solar panels don't produce enough energy and what ...

[Learn More](#)



Contact Us

For catalog requests, pricing, or partnerships, please visit:
<https://www.v4venison.co.za>

