

Hybrid power system



Renewable hybrid power plant: what it is, benefits , Enel Green Power

Hybrid power plants are an innovative solution for increasing and optimizing energy production, combining, as they do, hydropower, solar, wind, and storage systems.

[Learn More](#)

Hybrid Power Systems 101 , BESS , POWR2

Hybrid power systems combine two or more energy technologies to increase system efficiency. For example, a battery energy storage system (BESS) can be combined with a diesel generator or solar ...



[Learn More](#)



Hybrid Energy System

A hybrid energy system is defined as a combination of integrated energy systems that generate and store power, often utilizing renewable sources such as solar and wind, to enhance energy security ...

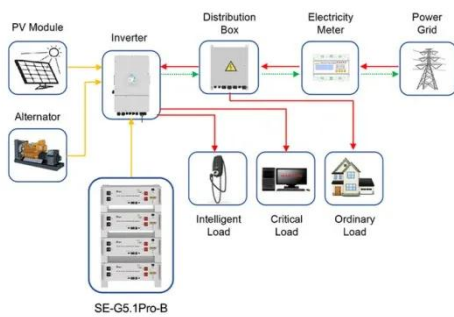
[Learn More](#)

Hybrid Energy Solutions:

Advantages & Challenges , Diversegy

Hybrid energy solutions are systems that combine multiple power sources to deliver a stable and efficient energy supply. These systems typically combine renewable energy sources like ...

[Learn More](#)



Application scenarios of energy storage battery products

Hybrid Energy Systems for Reliable Power Generation

A hybrid energy system integrates two or more power generation methods, typically from renewable sources supplemented by conventional backup or energy storage technologies.

[Learn More](#)

Power management and optimization of a hybrid power system

Real-world challenges are simulated by incorporating variable wind speed, solar radiation, and load demand data from a village in India. The model, developed within the ...

[Learn More](#)



Hybrid power

A hybrid energy system, or hybrid power, usually consists of two or more renewable energy sources used together to provide increased system efficiency

as well as greater balance in energy supply.

[Learn More](#)



The Future of Hybrid Power Systems in Renewable Energy

Hybrid power systems are emerging as a powerful solution to meet the world's growing energy demands while addressing the limitations of individual renewable sources. By combining ...

[Learn More](#)



Hybrid power solutions

Our hybrid power solution is a system that integrates multiple power sources, such as renewable energy, energy storage, and traditional generators, to provide reliable and efficient electricity supply.

[Learn More](#)



What Is Hybrid Power? How the Future of Energy Works

In simple terms, hybrid power is employing two or more sources of power--typically renewable power in the form of solar or wind power, supported

by traditional generators or ...

[Learn More](#)

Test certification
CE FC



Contact Us

For catalog requests, pricing, or partnerships, please visit:
<https://www.v4venison.co.za>

