

# How to store energy and charge low voltage cabinet



## Overview

---

This article will introduce in detail how to design an energy storage cabinet device, and focus on how to integrate key components such as PCS (power conversion system), EMS (energy management system), lithium battery, BMS (battery management system), STS (static transfer. This article will introduce in detail how to design an energy storage cabinet device, and focus on how to integrate key components such as PCS (power conversion system), EMS (energy management system), lithium battery, BMS (battery management system), STS (static transfer. They show up when you're hosting critical operations, and your low voltage cabinet suddenly becomes as useful as a chocolate teapot. But here's the kicker: energy storage isn't just about keeping lights on. It's about maintaining operations, protecting equipment, and avoiding those "oh no" moments. What are the energy storage technologies for electric cabinets?

Electric cabinets, essential components in modern electrical systems, utilize various energy storage technologies to effectively manage and store electrical energy. These metal beasts aren't your grandpa's battery boxes; they're sophisticated systems storing enough juice to power small neighborhoods. Let's crack open these technological marvels. These cabinets house essential equipment designed to regulate, monitor, and protect electrical. Multi-dimensional use, stronger compatibility, meeting multi-dimensional production and life applications High integration, modular design, and single/multi-cabinet expansion Zero capacity loss, 10 times faster multi-cabinet response, and innovative group control technology Meet various industrial.

## How to store energy and charge low voltage cabinet

---



### What are the energy storage technologies for electric cabinets?

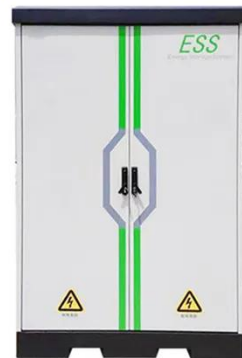
The realm of energy storage technologies for electric cabinets reveals extensive innovations and advancements that are transforming the landscape of power management.

[Learn More](#)

---

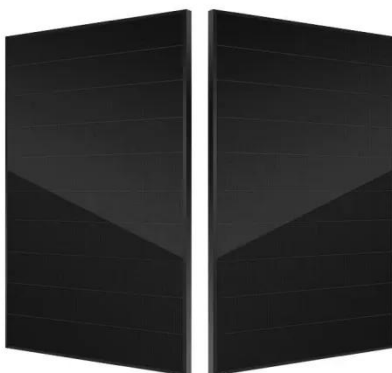
### LV-Rack-30KWh Cabinet type battery energy storage cabinet

These systems are pivotal for applications ranging from residential energy storage, to providing backup power, to integrating with renewable energy sources, and even in supporting grid services.



[Learn More](#)

---



### how to store energy and charge low voltage cabinet

The secret often lies in energy storage power cabinets - the unsung heroes of modern electricity management. These metal beasts aren't your grandpa's battery boxes; they're sophisticated systems ...

[Learn More](#)

---

## How to Store Energy in Power

## Cabinets: A 2025 Guide for Smart ...

The secret often lies in energy storage power cabinets - the unsung heroes of modern electricity management. These metal beasts aren't your grandpa's battery boxes; they're ...

[Learn More](#)



## All-in-One Energy Storage Cabinet & BESS Cabinets , Modular, ...

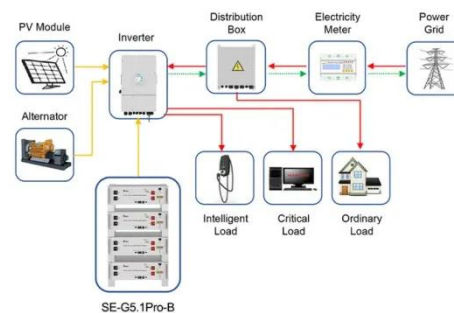
AZE's All-in-One Energy Storage Cabinet is a cutting-edge, pre-assembled, and plug-and-play solution designed to simplify energy storage deployment while maximizing efficiency and reliability.

[Learn More](#)

## Cabinet Energy Storage System , VREMT

Discover our high-efficiency, modular battery systems with zero capacity loss and rapid multi-cabinet response. Ideal for industrial, commercial, and emergency applications, our solutions offer remote ...

[Learn More](#)



Application scenarios of energy storage battery products

## Understanding the Essentials of Low Voltage Distribution Cabinets

This article explores the fundamental role of low voltage distribution cabinets,



their key features, and the critical technologies that drive their functionality.

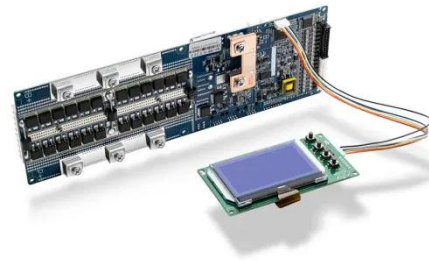
[Learn More](#)

---

## How to design an energy storage cabinet: integration and optimization

As the core equipment in the energy storage system, the energy storage cabinet plays a key role in storing, dispatching and releasing electrical energy. How to design an efficient, reliable ...

[Learn More](#)



---

## How to Store Energy When Your Low Voltage Cabinet Can't Supply ...

But here's the kicker: energy storage isn't just about keeping lights on. It's about maintaining operations, protecting equipment, and avoiding those "oh no" moments when production lines grind to a halt.

[Learn More](#)

---

## BESS CABINET

A BESS cabinet (Battery Energy Storage System cabinet) is no longer just a

"battery box." In modern commercial and industrial (C& I) projects, it is a full energy asset --designed to reduce electricity ...

[Learn More](#)



---

## Contact Us

---

For catalog requests, pricing, or partnerships, please visit:  
<https://www.v4venison.co.za>

