

# How to Choose a 150-foot Photovoltaic Container for Base Stations



## Overview

---

For most off-grid or backup power applications, a modular lithium iron phosphate (LFP) solar storage container offers the best balance of safety, lifespan, and efficiency 1. Look for IP65-rated enclosures, integrated thermal management, and UL certification to ensure long-term. High-efficiency Mobile Solar PV Container with foldable solar panels, advanced lithium battery storage (100-500kWh) and smart energy management. Ideal for remote areas, emergency rescue and commercial applications. Fast deployment in all climates. How long does it take to install a solar panel. Choosing a suitable solar containerized energy unit can be overwhelming—especially when you're weighing budget, location, load demands, and long-term reliability. Their size depends on three key factors: "The standard 20-foot container remains the industry favorite, offering 500 kWh storage while fitting through standard shipping routes. All systems include comprehensive.

## How to Choose a 150-foot Photovoltaic Container for Base Stations

---



### How to Set Up a Photovoltaic Container for Energy Needs

This guide will walk you through everything you need to know about setting up a photovoltaic container, from understanding its components and benefits to installation and maintenance.

[Learn More](#)

### How to Choose a 150-foot Photovoltaic Container for Base Stations

Learn how to choose the right solar containerized energy unit based on your energy needs, battery size, certifications, and deployment conditions. A practical guide with



[Learn More](#)



### Solar Installed System Cost Analysis , Solar Market Research

NLR's bottom-up cost modeling methodology, shown here for residential PV systems, considers a wide set of factors and many interactions between them. These bottom-up models ...

[Learn More](#)

### Solarcontainer: The mobile solar

## system

We make mobile solar containers easy to transport, install and use. Make the next step towards renewable energy with our Solarcontainer! The challenges of our time are more present than ever.

[Learn More](#)



### **How to choose a 150-foot photovoltaic energy storage container for ...**

These containerized battery energy storage systems are widely used in commercial, industrial, and utility-scale applications. But one of the most important factors in choosing the right solution is ...

[Learn More](#)

### **How to Choose the Best Solar Container System: A Complete Buying ...**

Discover key factors when selecting a solar container system, including types, specs, pricing, and top considerations for off-grid or commercial use.

[Learn More](#)



### **How to Choose the Best Solar Storage Container: A Complete Buying ...**

Learn what to look for in a solar storage



container, from capacity and durability to cost and safety. Make an informed decision with this expert guide.

[Learn More](#)

---

## How Big Is a Photovoltaic Energy Storage Container? Sizing Guide for

From compact 10-foot units to massive 40-foot powerhouses, photovoltaic energy storage containers offer flexible solutions for any solar project. Remember - bigger isn't always better.

[Learn More](#)



---

## Solar Power Container: Complete Guide to Portable Solar Energy ...

Comprehensive guide to solar power containers covering system components, applications, sizing, installation, costs, and benefits for off-grid power, emergency backup, and ...

[Learn More](#)

---

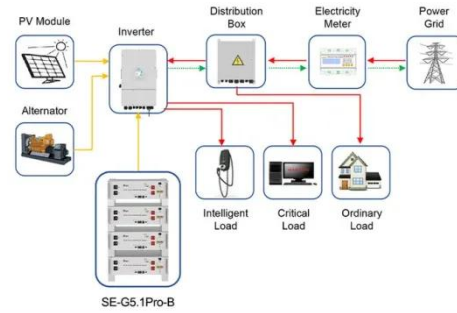
## How to Choose the Right Solar Containerized Energy Unit

Learn how to choose the right solar containerized energy unit based on your energy needs, battery size,



certifications, and deployment conditions. A practical guide with real examples ...

[Learn More](#)



Application scenarios of energy storage battery products

## Contact Us

For catalog requests, pricing, or partnerships, please visit:  
<https://www.v4venison.co.za>

