

# How much does the solar container battery cost in Aarhus Denmark



## Overview

---

BYD and Huawei now offer lithium iron phosphate (LFP) batteries at €320/kWh – 22% cheaper than EU-made equivalents. Why?

Denmark's 2024 green tech import policy eliminates VAT for BESS components. Still, local installers warn: “Some cut corners on safety certifications to hit. Denmark's electricity prices hit €0.45/kWh in 2023 – the 3rd highest in Europe. For factories and farms, this sparks an urgent question: Can mobile solar container projects deliver 20%+ annual ROI while cutting energy bills?

Let's crunch Denmark-specific numbers. Traditional solar farms require. A 1MWh system: Costs between €695,000 and €850,000. Larger systems, like 5MWh, cost €3. Calculating initial costs involves assessing energy capacity, power requirements, and site-specific conditions. Start by determining the key parameters. Denmark's carbon tax (750 DKK/ton CO<sub>2</sub> in 2025) and guaranteed 20-year feed-in tariffs make solar panel container projects irresistible. Combine this with Denmark's €1.2 billion Energy. By 2026, the average price per kWh for BESS in Denmark is projected to drop to €200–250, but smart buyers must act now to lock in deals before subsidies tighten.

## How much does the solar container battery cost in Aarhus Denmark

---



### Cheapest Battery Energy Storage System Supplier in Denmark 2025:

...

But with 35+ suppliers competing in this Nordic market, how do you find the cheapest BESS supplier in Denmark without sacrificing performance? We've analyzed pricing models, warranty terms, and ROI ...

[Learn More](#)

---

### Mobile Solar Container Project ROI in Denmark: 2025 Cost Analysis

Case in point: Aarhus Port's 500 kWh system achieved 18.7% ROI in 2023 through peak shaving - cutting 6,200EUR monthly demand charges. But will 2025 battery prices change the game?



[Learn More](#)

---



### Solar Panels Container Project ROI in Denmark 2025: Cost ...

Denmark's carbon tax (750 DKK/ton CO<sub>2</sub> in 2025) and guaranteed 20-year feed-in tariffs make solar panel container projects irresistible. For factories, farms, or cold storage facilities, a 500 kW system ...

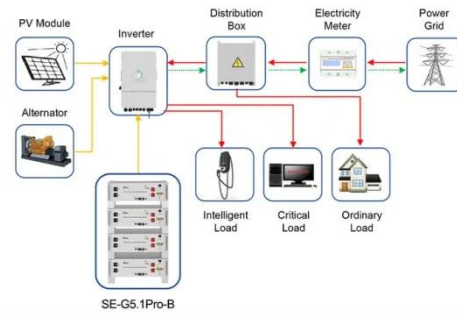
[Learn More](#)

---

## Battery Energy Storage System ROI in Denmark 2025: Price per kWh

Want to know exactly what your lithium-ion system costs? Current Danish BESS prices average EUR480/kWh for turnkey installations - 18% cheaper than 2022 levels. Where does the money flow? ...

[Learn More](#)



Application scenarios of energy storage battery products



## A Company That Makes Solar Container Lithium Battery Packs In ...

Sell A Company That Makes Solar Container Lithium Battery Packs In Aarhus, Denmark in bulk to verified buyers and importers. Connect with businesses actively looking to buy wholesale A ...

[Learn More](#)

## Aarhus energy storage container prices in Denmark

The battery system was developed in-house by the Vestas Storage and Energy Solutions team and has a capacity of 2.3 MWh, which makes it Denmark's largest battery, but hopefully not for long.

[Learn More](#)



## AARHUS DENMARK RECHARGEABLE ENERGY STORAGE ...

Technological advancements are dramatically improving solar storage



container performance while reducing costs. Next-generation thermal management systems maintain optimal operating ...

[Learn More](#)

---

## Battery Energy Storage System Quotation in Denmark 2026: Cost ...

With Denmark targeting 100% renewable electricity by 2030, energy prices are volatile, and grid stability is shaky. By 2026, the average price per kWh for BESS in Denmark is projected to drop to ...

[Learn More](#)



---

## Container Battery Storage: Calculating and Evaluating Initial Costs

Explore the costs of Container Battery Storage systems, with detailed breakdowns and examples tailored for European businesses. Learn how to calculate your investment and maximize ...

[Learn More](#)



---

## Price of Photovoltaic Power Generation and Energy Storage in ...

This article explores the costs, trends,

and benefits of photovoltaic (PV) systems and energy storage in Aarhus, providing actionable insights for homeowners, businesses, and renewable energy enthusiasts.

[Learn More](#)



---

## Contact Us

For catalog requests, pricing, or partnerships, please visit:  
<https://www.v4venison.co.za>

