

# How much does a 100kWh substation user cabinet cost in the US



## Overview

---

So, how much does a 100kW energy storage cabinet actually cost?

Well, if you're expecting a one-number answer, prepare for a plot twist. Prices swing between \$25,000 and \$70,000 —like comparing a budget sedan to a luxury EV. But why the wild range?

Let's break this down. Total project ranges: A small, compact distribution substation can start around \$1,000,000 and climb toward \$3,000,000 for modest upgrades. Here are the main factors driving the price: Rated Power (kVA): Options range from 250kVA to 2500kVA. Bigger capacity means a heftier price tag due to larger transformers and components. Understanding these variables is essential for accurate budgeting and cost comparison. Voltage Level: Higher voltage substations require more robust insulation, larger equipment, and advanced safety features, increasing costs. Add the cost of additional steel (if any) \$800 per 1000sqft assuming a 500kCMIL bare copper wire.

## How much does a 100kWh substation user cabinet cost in the US

---



### Substation Cost Estimator , PEguru

A comprehensive tool to determine the cost of building a substation or any small portion of it. All material cost is populated. Input quantity for an estimate.

[Learn More](#)

---

### 2025 Compact Substation Price List: Costs, Specs, and Buyer's Guide

Here's a sneak peek at estimated prices for compact substations in 2025. Keep in mind these are ballpark figures--actual costs depend on customization, shipping, and market trends.



[Learn More](#)



### compact substation price Explained: Size, Cost, and Components

Compare prices from leading manufacturers and get a breakdown of the costs involved. Understand the components that make up a compact substation, including transformers, switchgear, ...

[Learn More](#)

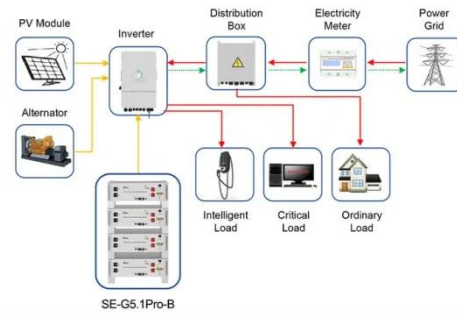
---

### Energy Storage Cabinet 100kW

## Price: What You Need to Know in 2024

Breaking Down the 100kW Energy Storage Cabinet Price So, how much does a 100kW energy storage cabinet actually cost? Well, if you're expecting a one-number answer, prepare for a plot twist. Prices ...

[Learn More](#)



Application scenarios of energy storage battery products



## Compact Substation Price List

Here is a price estimate for standard compact substations based on rated transformer capacity. Please note that actual costs may vary depending on customization, country of origin, and ...

[Learn More](#)

## Price Range for Electrical Substations Cost Comparison

Below is a general price comparison for different substation types, based on recent market data and Farady's experience as a distribution transformer manufacturer. These figures are indicative and can ...

[Learn More](#)



## Substation Cost Guide: Price Ranges for U.S. Projects 2026

Costs for building or upgrading a electrical substation vary widely based on size, voltage, and equipment. Major



drivers include transformer size, switchgear, protection systems, land and ...

[Learn More](#)

## Market trends and developments

### 2.1.2 Trends in pricing and cost ...

As per US' Midcontinent Independent System Operator (MISO), substation cost estimates are sub-divided into four cost categories: land and site work; equipment and foundations; protection and ...

[Learn More](#)



## Workpaper Table 17-27

Unit Costs are an average of recorded costs of similar work.

[Learn More](#)

## Substation & Switchyard Design Considerations: ...

This article examines the factors crucial in determining the size, load, and cost of substations and switchyards.

[Learn More](#)



---

## Contact Us

For catalog requests, pricing, or partnerships, please visit:  
<https://www.v4venison.co.za>

