

How many volts does a solar panel use to generate electricity



Overview

Most residential solar panels generate between 16-40 volts DC, with an average of around 30 volts per panel under ideal conditions. However, the actual voltage fluctuates based on temperature, sunlight intensity, shading, panel age and quality. To determine your system's maximum voltage potential. Quick Answer: A solar panel typically generates a voltage ranging from 5 volts for small, portable panels to around 30 to 40 volts for standard residential panels under full sun. Panels can have 32 to 96 cells, with larger configurations used for commercial electric power generation.

How many volts does a solar panel use to generate electricity



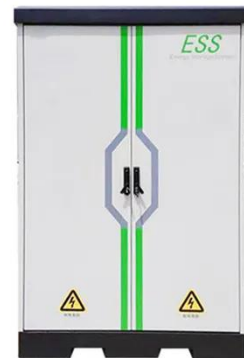
How Many Volts Does a Solar Panel Produce? Power Output Guide

A typical solar panel produces a voltage between 10 and 30 volts, depending on the type and configuration of the panel. The exact voltage output is influenced by the number of solar cells in ...

[Learn More](#)

Solar Panel Output Voltage: How Many Volts Do PV Panel Produce?

To be more accurate, a typical open circuit voltage of a solar cell is 0.58 volts (at 77°F or 25°C). All the PV cells in all solar panels have the same 0.58V voltage. Because we connect them in series, the ...



[Learn More](#)



How Many Volts Does a Solar Panel Produce?

So, how many volts does a solar panel produce? Although there are currently cells available with a size of 158 mm * 158 mm, the most common solar cell used according to industry ...

[Learn More](#)

What Voltage Does a Solar Panel

Produce? The Surprising Answer

Most residential solar panels generate between 16-40 volts DC, with an average of around 30 volts per panel under ideal conditions. However, the actual voltage fluctuates based on ...

[Learn More](#)



How Many Volts Does a Solar Panel Generate? - ...

Solar panel voltage is a critical factor in solar energy production, with outputs ranging from 5 to 40 volts, depending on the type and conditions.

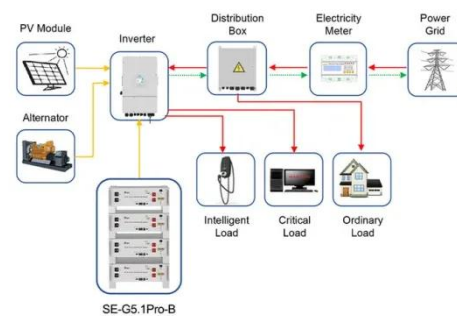
[Learn More](#)



How Power And Voltage Work In Solar Panels?

Solar panels convert sunlight to electricity, yielding a direct current (DC) voltage ranging from 12 to 24 volts, depending on the number of cells within the panel. Different solar panel types ...

[Learn More](#)



Application scenarios of energy storage battery products

How many volts of electricity do solar panels generate?

In general, solar panels produce a voltage range of around 18 to 50 volts. The specific output depends on various factors, including the type of solar panel,



sunlight conditions, and the ...

[Learn More](#)

Solar Basics: Voltage, Amperage & Wattage , The Solar Addict

For example, a solar panel with a voltage of 20V and an amperage of 5A has a wattage of 100W. This means the panel can produce 100 watts of power under optimal conditions.



[Learn More](#)

ESS



How Many Volts Does a Solar Panel Put Out: Key Insights

Understanding the voltage output of solar panels is crucial for anyone involved in solar energy, from homeowners to industry professionals. Knowing how many volts a solar panel puts out ...

[Learn More](#)

How Many Volts Is A Solar Panel? [Updated: October 2025]

Are you wondering how many volts a solar panel can produce? A solar panel can produce 14.72 volts of electricity.

This article will explain how a solar panel produces electricity and how many ...

[Learn More](#)



Contact Us

For catalog requests, pricing, or partnerships, please visit:
<https://www.v4venison.co.za>

