

How many times can the outdoor energy storage power supply be used



How many times can the outdoor energy storage power supply be u



Outdoor Energy Storage Power Supply: Click Here!

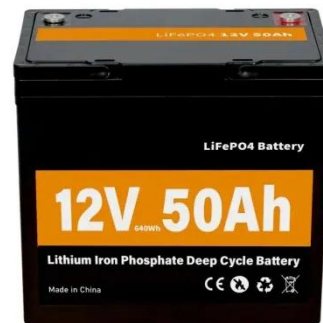
Many modern power stations can be connected to portable solar panels, allowing you to harness the power of the sun to recharge your unit. This creates a completely self-sufficient and ...

[Learn More](#)

How Much Power Can Be Stored in an Outdoor Power Supply? Key ...

Let's cut to the chase: modern outdoor power supplies can store anywhere from 300Wh to 3,600Wh, with commercial-grade systems reaching up to 25kWh. But what does that really mean for your ...

[Learn More](#)



Outdoor Energy Storage Power Supply Implementation Standards: A

Outdoor energy storage installations grew by 27% annually from 2020 to 2023, driven by solar/wind integration and off-grid demand. But improper implementation caused 14% of system failures last ...

[Learn More](#)



Energy Storage Equipment, Energy storage solutions, Lithium battery

These three parts form a microgrid, using photovoltaic power generation to store electricity in the energy storage battery. When needed, the energy storage battery supplies the ...

[Learn More](#)



Outdoor Energy Storage Power Supply: Reliable, Sustainable, Cost

It also features smart management systems that monitor and regulate energy flow for optimal performance. These units are suitable for a range of applications, from residential backup power to ...

[Learn More](#)

Energy Storage Systems FAQs , Briggs & Stratton

Federal data found that in 2020 more than 180 large, sustained outages occurred whereas in 2000 there were fewer than two dozen major power outages. All of these factors are causing a surge in demand ...

[Learn More](#)



How much power does the outdoor energy storage power supply have

Outdoor energy storage power supplies demonstrate significant versatility in

their power capacities, with options ranging from 1kWh up to 100kWh or more, depending on various factors, ...

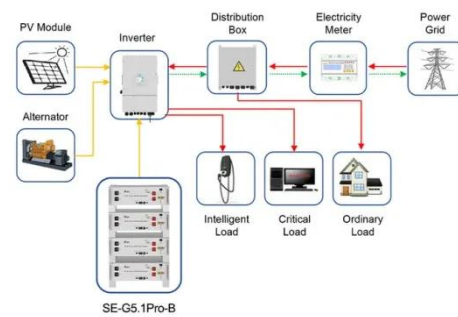
[Learn More](#)



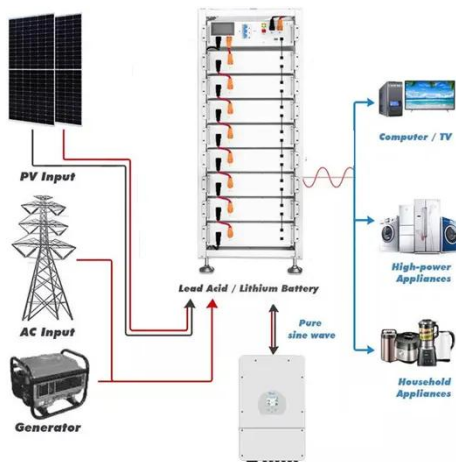
How Outdoor Energy Storage Works: A Complete Guide for 2025

Enter outdoor energy storage, the unsung hero of modern off-grid adventures and renewable energy systems. Think of it as your personal power bank--but for the great outdoors.

[Learn More](#)



Application scenarios of energy storage battery products



Energy Storage Systems: Duration and Limitations

Energy storage systems are designed to be used intermittently along with renewable energy or grid sources. They are not backup generators to be deployed solely during outages.

[Learn More](#)

Contact Us

For catalog requests, pricing, or partnerships, please visit:
<https://www.v4venison.co.za>

