

# Honiara All-in-one solar container battery Series



## Honiara All-in-one solar container battery Series

---



### HONIARA ENERGY STORAGE CONTAINER COSTS , Solar Power ...

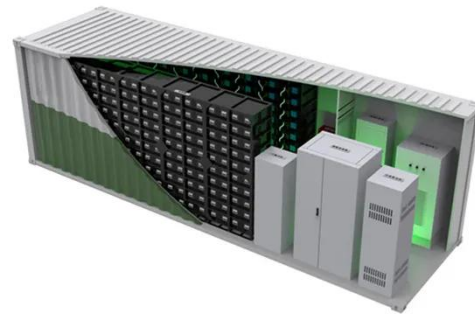
Container energy storage is an integrated energy storage solution that encapsulates high-capacity storage batteries into a container. This energy storage container not only contains storage units, but ...

[Learn More](#)

---

### HONIARA LITHIUM-ION BATTERY SOLAR CONTAINER SALES

With solar and wind energy adoption rising across the a?, How much does the Honiara liquid-cooled energy storage battery cost The 2022 ATB represents cost and performance for battery storage ...



[Learn More](#)

---

### Honiara electric solar container battery

Honiara Energy Storage Container A type-approved, all-in-one battery room solution, the Corvus BOB reduces energy storage system installation time, streamlines integration, and eases classification

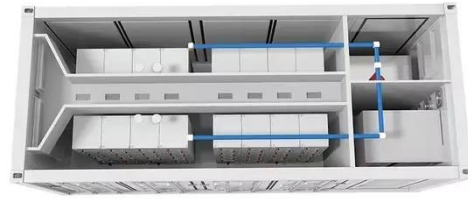


[Learn More](#)

---

## HONIARA ENERGY STORAGE PHOTOVOLTAIC POWER ...

Technological advancements are dramatically improving solar storage container performance while reducing costs. Next-generation thermal management systems maintain optimal operating ...



[Learn More](#)



## HONIARA LEAD ACID BATTERY SOLAR CONTAINER

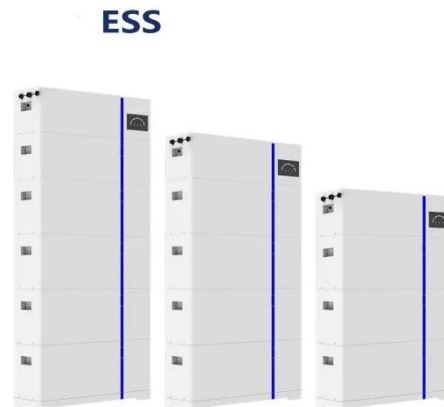
It impacts the efficiency and reliability of your container solar power system. LiFePO4 batteries have a longer lifespan, perform better, and require less maintenance compared to lead-acid batteries.

[Learn More](#)

## Honiara container energy storage lithium battery installation

Honiara Energy Storage Container Power Station Platform. As large-scale lithium-ion battery energy storage power facilities are built, the issues of safety operations become more

[Learn More](#)



## honiara solar container battery cabinet shipping , etrailer

Explore our collection of honiara solar container battery cabinet shipping to find the perfect solution and get back to



adventuring!

[Learn More](#)

---

### **honiara container photovoltaic energy storage lithium battery brand**

All-in-one containerized design complete with LFP battery, bi-directional PCS, isolation transformer, fire suppression, air conditioner and BMS; Modular designs can be stacked and combined.



[Learn More](#)



### **All-In-One Hybrid Battery Cabinet 100kwh 200kwh Battery Off-grid**

Feature highlights: The All-In-One Hybrid Battery Cabinet offers 100kWh and 200kWh capacities, designed for commercial solar energy storage with an IP55 protection class and air-cooling system.

[Learn More](#)

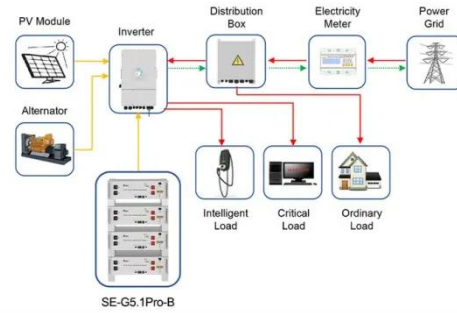
---

### **Honiara walk-in solar container installation**

As the photovoltaic (PV) industry continues to evolve, advancements in

Honiara walk-in solar container installation have become critical to optimizing the utilization of renewable energy sources.

[Learn More](#)



Application scenarios of energy storage battery products

## Contact Us

For catalog requests, pricing, or partnerships, please visit:  
<https://www.v4venison.co.za>

