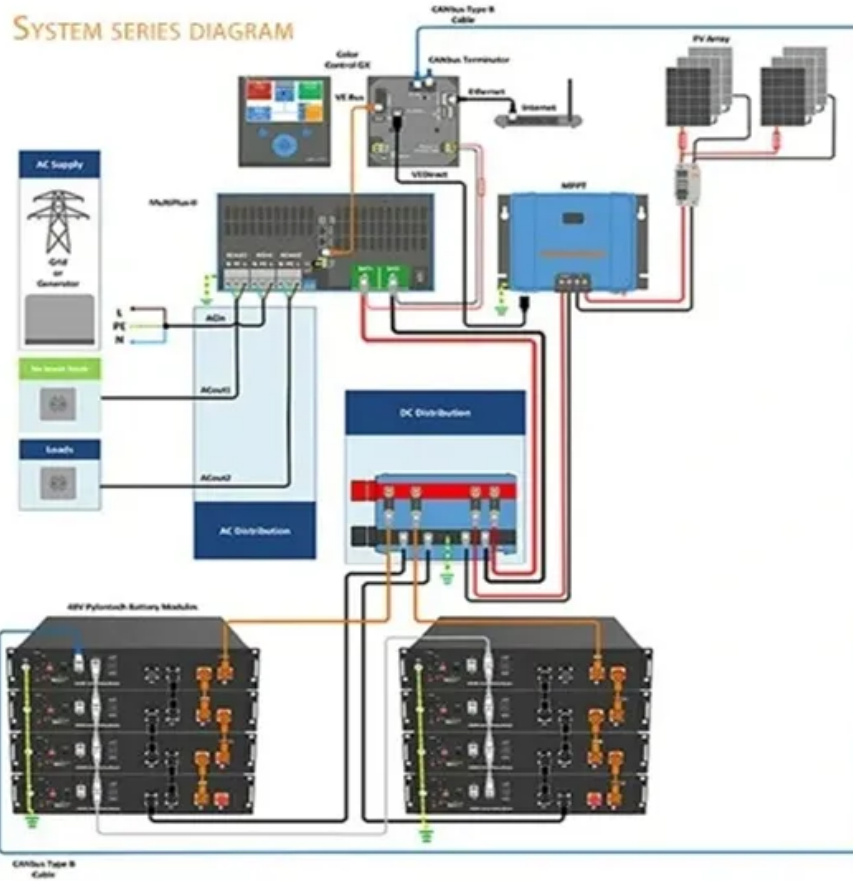


Home energy storage system issues



Overview

While the deployment of energy storage systems across the U. has grown dramatically in the U. in recent years, they are facing resistance in some communities where residents have voiced concerns over the risk of energy storage system fires and the amount of space required to. If you're a homeowner thinking about installing a residential energy storage system, you probably find yourself stuck trying to figure out both the upfront costs and what kind of savings you might get in the long run. However, many people overlook key issues during installation and use, resulting in inefficient or even damaged systems.

Home energy storage system issues



Battery Energy Storage Systems: Main Considerations for Safe

Battery Energy Storage Systems, or BESS, help stabilize electrical grids by providing steady power flow despite fluctuations from inconsistent generation of renewable energy sources and other disruptions.

[Learn More](#)

Common Issues with Energy Storage Systems (and How to Fix Them)

Monitoring battery health, managing thermal conditions, and regularly checking connections can mitigate these risks significantly. Reliability is another critical concern, especially in applications where consistent energy ...

[Learn More](#)



Energy Storage Systems for the Home: Solar and More

Emerging energy storage solutions for homeowners are focusing on innovative technologies and approaches that enhance energy independence, cost-effectiveness, grid resilience, sustainability, and ease ...

[Learn More](#)



Safety Challenges and Risk Analysis of Home Energy Storage Systems

With the development of renewable energy, energy storage systems are increasingly used in power systems. However, the safety issues of energy storage systems have also become prominent.

[Learn More](#)

GRADE A BATTERY

LiFePO4 battery will not burn when overcharged, over discharged, overcurrent or short circuit and can withstand high temperatures without decomposition.



Energy Storage Proposals Face Pushback from Some Communities

Energy storage projects are facing increasing scrutiny from local residents in parts of the U.S. Residents have voiced concerns about fires at energy storage facilities - in particular, lithium-ion storage ...

[Learn More](#)

Three Overlooked Issues in Home Energy Storage - OKMOTech

This article will look at three major issues in home energy storage that should not be overlooked and provide practical advice to help you avoid these pitfalls.

[Learn More](#)



Common Issues with Residential Energy Storage and How to Fix Them

In this blog, we'll explore the most common issues homeowners face with

residential energy storage and offer practical solutions to keep your system running smoothly.

[Learn More](#)



Risks of Residential Battery Energy Storage Systems

BESS operating software may be a target for cyberattacks which could, in turn, heighten property or liability risks for homeowners. Residential battery energy storage systems (BESS) can serve two ...

[Learn More](#)



Issues Faced by Homeowners with Residential Energy Storage Systems

This chart illustrates the common issues faced by homeowners when implementing residential energy storage systems. The data reflects the percentage of homeowners reporting each issue, highlighting ...

[Learn More](#)

5 Big Mistakes in Home Energy Storage System Installs

Avoid costly home battery system mistakes! This guide reveals 5 common errors in residential energy storage

installation, from sizing to permits, ensuring a safe & efficient setup.

[Learn More](#)



Contact Us

For catalog requests, pricing, or partnerships, please visit:
<https://www.v4venison.co.za>

